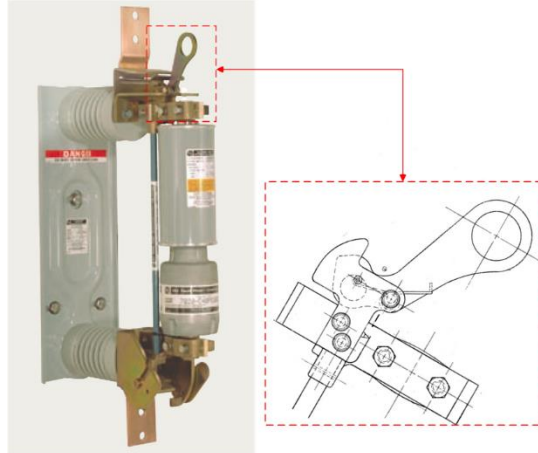


Padmount PMH Switchgear Parts Cross-Reference



1. Scope

This work practice identifies interchangeability between the various S&C Electric Company (S&C) PMH switchgear parts that are cited in Seattle City Light (SCL) 4507.95.

2. Application

This work practice is for SCL engineers, crews, and Material Control who want to know about compatibility of parts in various models of PMH switchgear. This work practice is to be used in conjunction with SCL standards cited in sections 4 and 5.

3. Cross Reference Tables

Table 3a identifies a majority of the S&C parts installed in various types of PMH **switch** compartments. Table 3b identifies parts installed in various types of PMH **fuse** compartments.

Notes:

See SCL 4507.95 for location and quantity of parts.

See SCL 9686.18 for the original manufacturer drawings.

Table 3a. PMH Switchgear “Switch” Compartment Parts Cross Reference

Item No.	S&C Part No.	S&C Part Description	Stock No.	Quantity Installed per PMH				
				PMH-5	PMH-9	PMH-10	PMH-11	PMH-12
1	BA-4021	Switch Dual Purpose Barrier	13309	1	2	4	3	1
2	CP-1270	Switch Window	-	1	2	4	3	1
3	C-1798-1	Cabinet Ground Rod	-	2	2	4	4	4
4	C-1798-2	Cabinet Ground Rod	-	-	2	4	4	4
5	BA-1047-1	Lower Switch Barrier Assembly (Post-2005)	13311	1	3	6	4	1
5	BA-4011-1	Lower Switch Barrier Assembly (Pre-2005)	14280	1	3	6	4	1
6	BA-1047-2	Lower Switch Barrier Assembly (Post-2005)	13310	2	3	6	5	2
6	BA-4011-2	Lower Switch Barrier Assembly (Pre-2005)	14281	2	3	6	5	2
7	BA-1044-1	Lower Switch End Barrier Assembly (Post-2005)	13312	1	1	4	3	1
7	BA-4011-1	Lower Switch Barrier Assembly (Pre-2005)	-	1	-	-	-	-
8	BA-1044-2	Lower Switch End Barrier Assembly	14282	-	1	4	3	1
9	BA-4020-1	Upper Switch End Barrier Assembly	14283	1	2	4	3	1
10	BA-4020-2	Upper Switch End Barrier Assembly	14284	1	2	4	3	1
11	BA-4019-1	Upper Switch Interphase Barrier Assembly	14285	1	2	4	3	1
12	BA-4019-2	Upper Switch Interphase Barrier Assembly	14286	1	2	4	3	1
13	B-25778	Switch Back Barrier Assembly	14287	-	2	4	3	1
14	B-25806	Switch Barrier Guide	14291	1	2	4	3	1
15	B-25804	Barrier Guide	13263	1	2	4	3	1
16	PA-7259	Indoor Insulator 25 kV 125 kV BIL	-	2	6	12	9	12
17	PA-7228	Indoor Insulator 25 kV 125 kV BIL	14293	6	12	12	12	3
18	SDA-4726	Arc Compressor Assembly (Yellow) Post-2010	-	3	6	12	9	3
18	SA-40889	Arc Compressor Assembly (White) Pre-2010	-	3	6	12	9	3
19	PA-7261	Rotating Strut Assembly (Post-2005)	-	1	2	4	3	1
19	BA-7136	Rotating Strut Assembly (Pre-2005)	-	1	2	4	3	1
20	S-86110	Switch Grounding Stud	-	3	6	12	9	3
21	SD-3489	Switch Cable Connector	-	3	6	12	9	3
22	SDA-2695	Lower Contact Assembly	-	3	6	12	9	3
23	BA-3880	Fuse Dual Purpose Barrier	13267	3	6	-	3	9
24	BA-3872	Fuse Stiling Barrier Assembly	13268	1	2	-	1	3

Table 3b. PMH Switchgear “Fuse” Compartment Parts Cross Reference

Item No.	S&C Part No.	S&C Part Description	Stock No.	Quantity Installed per PMH				
				PMH-5	PMH-9	PMH-10	PMH-11	PMH-12
25	BA-3662	Fuse Interphase Barrier Assembly	13264	2	4	-	2	6
26	BA-3661-1	Fuse End Barrier Assembly	13265	1	2	-	2	6
27	BA-3661-2	Fuse End Barrier Assembly	13266	1	2	-	2	6
28	B-25708	Fuse Back Barrier	14289	-	2	-	2	3
29	PA-7229	Indoor Insulator 25 kV 125 kV BIL	-	3	6	-	3	9
30	SA-38945	Uni-Rupter	-	-	6	-	3	9
31	S-86072	Fuse Grounding Stud	-	-	3	-	1	4
32	S-86107	Fuse Grounding Stud	-	-	3	-	2	5
33	SA-40063-4	Lower Fuse Clip Assembly RH	-	-	3	-	2	5
34	SA-40063-3	Lower Fuse Clip Assembly LH	-	-	3	-	1	4
35	C-743	Fuse Connector Adapter	-	-	6	-	3	9
36	XC-742	Fuse Terminal Pad Spacer	-	-	6	-	3	9
37	SA-40053	Disconnect Latch and Pull Ring (Upper Fitting)	-	-	6	-	3	9
38	FD-2062	Trunnion (Lower Fuse Fitting Assembly)	-	-	6	-	3	9
39	4745T	Cable Connector Assembly	661255	-	12	12	12	12
40	CP-1288-3	Surge Arrester Connecting Rod	14295	-	6	12	9	3
41	B-25787	Switch Back Barrier Assembly	14288	1	-	-	-	-
42	81603R2	Voltage Sensor	-	1	-	-	-	-
43	B-25707	Fuse Back Barrier	14290	1	-	-	-	-
44	QCA-6994	Fuse Barrier Assembly	-	1	-	-	-	-
45	99113	Fault-Fitter Holder Assembly	259100	3	-	-	-	-
46	QS-93377	Grounding Rod	-	3	-	-	-	-
47	QCA-7123	Ground Rod Assembly	-	1	-	-	-	-
48	7010-C40S1T3D8	Electronic Control Module, 5 MVA Transformer	259413	3	-	-	-	-
48	7010-C40S2T3D8	Electronic Control Module, 7.5 MVA Transformer	259423	3	-	-	-	-
48	7010-C40S2T6D8	Electronic Control Module, 10 MVA Transformer	259426	3	-	-	-	-
48	7010-C60S2T6D8	Electronic Control Module, 15 MVA Transformer	12682	3	-	-	-	-
49	803600R2	Interrupting Module	259500	3	-	-	-	-
50	3097	Replacement End Fittings and Silencer	682585	3	-	-	-	-
51	38971R2-A1A10Y8Z1	Motor Operator Kit	250163	1	-	-	-	-
-	9931-267	Battery	-	1	-	-	-	-
-	TA-2333R1	Charger	13664	1	-	-	-	-
-	38930R1-V-S108	ZSD Relay	10259	1	-	-	-	-
-	TA-1758	Current Sensor Assembly	-	3	-	-	-	-

4. References

SCL Material Standard 4507.95; “Padmount PMH Switchgear, 27 kV, Parts”

SCL Design Standard 9686.18; “Padmount PMH Switchgear, 27 kV, Parts, Drawings”

5. Sources

SCL Construction Standard 0801.12; “Padmount PMH Switchgear Installation”

SCL Design Standard 9687.03; “Padmount PMH Switchgear Design History and Evolution”

SCL Material Standard 4507.90; “Padmount Live-Front Switchgear, 27 kV”

SCL Work Practice 1167.13; “Padmount Switch Signs and Labels”

SCL Work Practice 1167.19; “Padmount PMH Switchgear Condition Assessment”