

Transformers, Low Voltage, Class 2



1. Scope

This standard covers the requirements for low voltage, Class 2 transformers. Low-voltage transformers are also known as signaling transformers. This material standard applies to Seattle City Light (SCL) Stock No. 733777.

2. Application

Low voltage, Class 2 transformers are used to supply power to door buzzers, SCL Stock No. 722176.

3. Industry Standards

Low voltage transformers shall meet the applicable requirements of the latest revision of the following industry standards:

UL 1446; "Standard for Systems of Insulating Materials - General"

UL 5085-1; "Low Voltage Transformers – Part 1: General Requirements"

UL 5085-3; "Low Voltage Transformers – Part 3: Class 2 and Class 3 Transformers"

Standards Coordinator
Muneer Shetab

Standards Supervisor
John Shipek

Unit Director
Andrew Strong

Muneer Shetab *John Shipek*

Andrew Strong

4. Requirements

Low voltage transformers shall have the following attributes:

- Class 2 transformer
- 50/60 Hz frequency
- Non-negative thermal overload protection
- Grounding wire
- Pre-stripped primary-side pigtails
- Screw terminal connections for secondary
- Panel mount
- Mounting hole size 1-1/8 inch

Table 4. Electrical Requirements

Primary Ratings	Secondary Ratings	
Voltage (Vac)	Voltage (Vac)	Power Rating (VA)
120	8	10
	16	10
	24	20

Figure 4.1a. Schematic

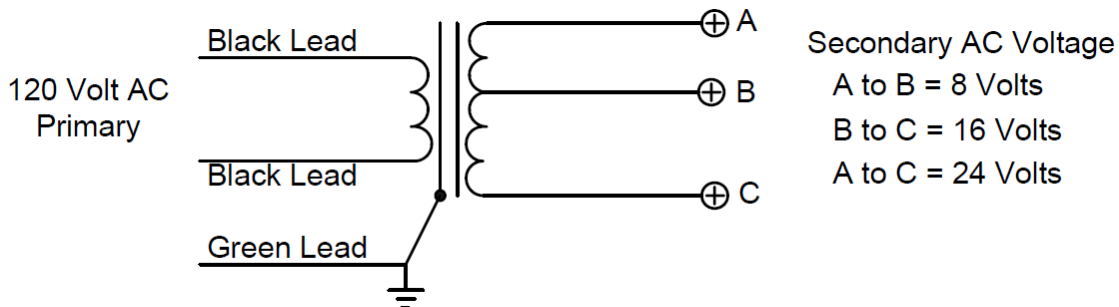
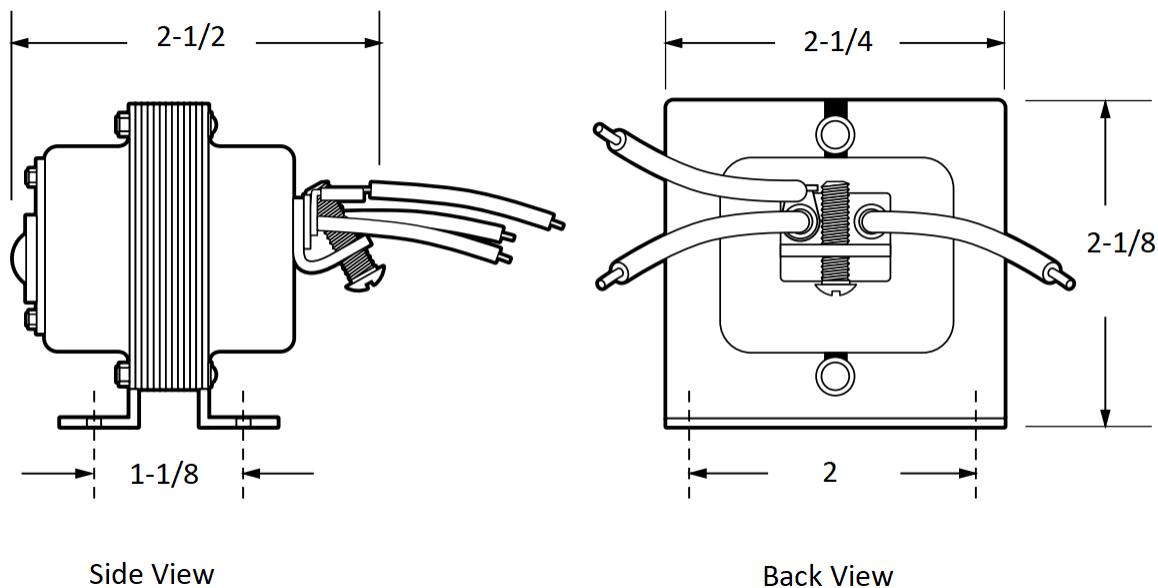


Figure 4.1b. Dimensions (in)



5. Packaging

Low voltage transformers shall be packaged to prevent damage during shipping, handling, and storage.

Each standard package shall be legibly marked with the following information:

- Manufacturer identification
- Product description
- SCL stock number
- Quantity

Each shipping container shall be legibly marked with the following information:

- SCL purchase order number
-

6. Issuance

Stock Unit: EA

7. Approved Manufacturers

Edwards Catalog No. 592

8. Sources

www.edwardssignaling.com

Shetab, Muneer; SCL Standards Engineer, originator, and subject matter expert for 7334.15 (muneer.shetab@seattle.gov)

Stock Catalog Page 73-27, August 17, 2005