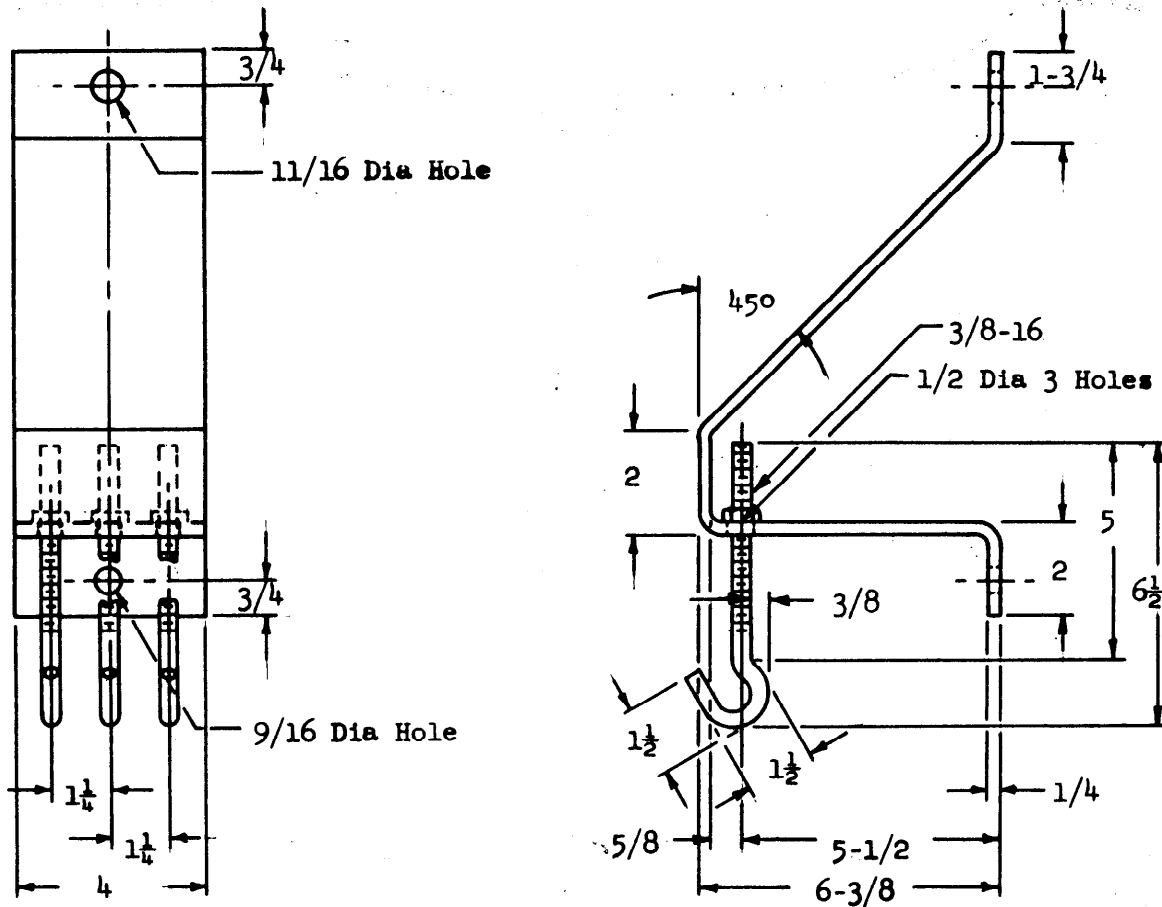


REV: Jan. 15, 1992

BRACKET, CABLE SUPPORT



All dimensions are in inches.
All radii are 1/4" maximum inside radius.

CABLE SUPPORT BRACKET shall be of the configuration and dimensions shown, free of rough or uneven surfaces and edges, furnished with three (3) J bolts and 3/8NC-2 galvanized nuts. The bracket is fastened to the pole to support cables independent of riser conduit.

Steel. The bracket and J bolts shall be made of hot rolled carbon steel bars meeting the requirements of ASTM specification A107.

Galvanizing. The bracket and J bolts shall be galvanized, after fabrication, in accordance with ASTM specification A123.

Reference Specifications: ASTM A107; A123, latest revisions.

Stock Unit: Each

Stock Number: 720630

ORIGINATOR	STANDARDS COORDINATOR	STANDARDS SUPERVISOR	UNIT DIRECTOR
<i>J E Puz</i>	<i>Chas. J. Shuff</i>	<i>John Thomas</i>	<i>D. DeVries</i>