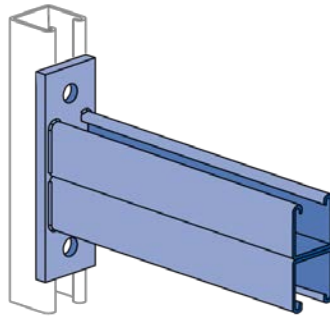


Brackets, Cable Support



1. Scope

This standard covers the requirements for cable support brackets.
This standard applies to Seattle City Light (SCL) Stock No. 678005.

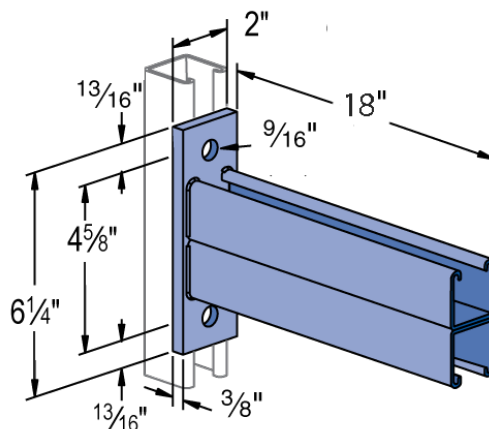
2. Application

Cable support brackets are used with cable support assemblies to rack and train cable.

3. Requirements

Cable support brackets shall be manufactured from steel and be hot-dip galvanized.
Cable support brackets shall have the dimensions shown in Figure 3.

Figure 3. Cable Support Bracket Dimensions



Standards Coordinator
Curtis Lu

Standards Supervisor
John Shipek

Unit Director
Andrew Strong

4. Packaging

Cable support brackets shall be packaged to prevent damage during shipping, handling, and storage. Individual packages shall be legibly marked with:

- Manufacturer name
- Manufacturer part number
- Product description

Shipping containers shall be legibly marked with:

- Seattle City Light Purchase Order Number
-

5. Issuance

Stock Unit: EA

6. Approved Manufacturers

Manufacturer	Catalog No.
B-Line Channel	B29718HDG
Morfab Metals	10CSP
Unistrut	P2543HG
Wesanco (ZSI-Foster)	W5653HG

7. Sources

SCL Stock Catalog page 70-42; October 19, 2017

Lu, Curtis; SCL Standards Engineer and originator of 7206.14