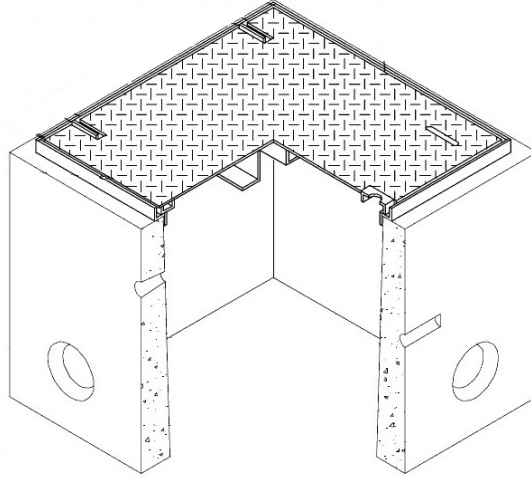


3030 Handhole, Precast, Secondary



1. Scope

This standard covers the requirements for 3030 precast secondary handhole bases, frames, and covers. Components can be ordered separately, or they can be ordered as an assembled handhole unit with cover.

This standard applies to the following Seattle City Light (SCL) stock numbers:

Stock No.	Description
013186	3030 handhole assembly, base with frame and cover (labeled "SCL")
013187	3030 handhole, base only
013188	3030 handhole frame and cover assembly (labeled "SCL")

2. Application

Handholes are used to house secondary service connections.

Handholes are for use in pedestrian sidewalks where an occasional car or light truck may inadvertently traverse.

3. General Requirements

This detailed standard is to be used in conjunction with the latest version of SCL Material Standard 7203.01, "Precast Reinforced Concrete Handholes, General Requirements."

Standard Coordinator
Sunny Kim

Standards Supervisor
John Shipek

Division Director
Andrew Strong

4. Requirements

4.1 Grounding and Bonding

The handhole base shall be provided with a grounding insert.

The metal frame shall be provided with a grounding lug.

4.2 Handhole Base

The SCL 3030 handhole base (Stock No. 013187) shall have dimensions and features as shown in Tables 4.2a and 4.2b, and Figure 4.2.

Table 4.2a. Handhole Dimensions (Nominal)

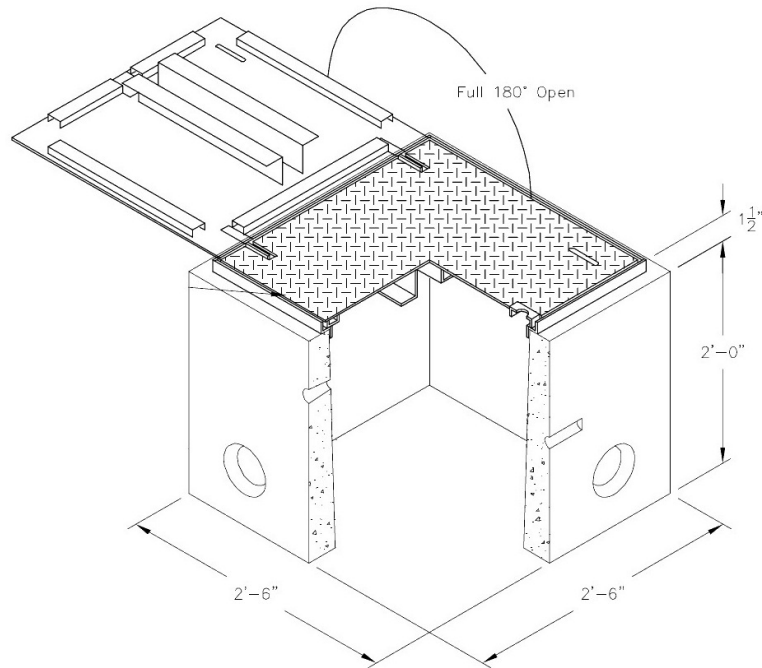
Stock No.	Item	Outside (in)			Inside (in)		
		Length	Width	Height	Length	Width	Cover Label
013186	Handhole assembly, base with frame and cover	30	30	25.5	24	24	SCL
013187	Handhole base only	30	30	24	24	24	–
013188	Frame and cover assembly	28	28	1.5	25	25	SCL

Table 4.2b. Handhole Features

Feature	Size, Nominal (in)	Location	Per Location	Total No.
Knockouts, round	5 dia	All 4 walls, on bottom	2 ea side	8
Lift Holes	1-1/2 dia	Upper center on 2 walls, opposite	1 ea side	2
Ground Inserts, bronze	1/4 dia	One wall, internal	1 ea side	1

Note: Approximate weight is 700 pounds.

Figure 4.2. 3030 Handhole



4.3 Frame and Cover

The 3030 frame and cover assembly (Stock No. 013188) shall have dimensions and features as shown in Table 4.3 and Figure 4.3.

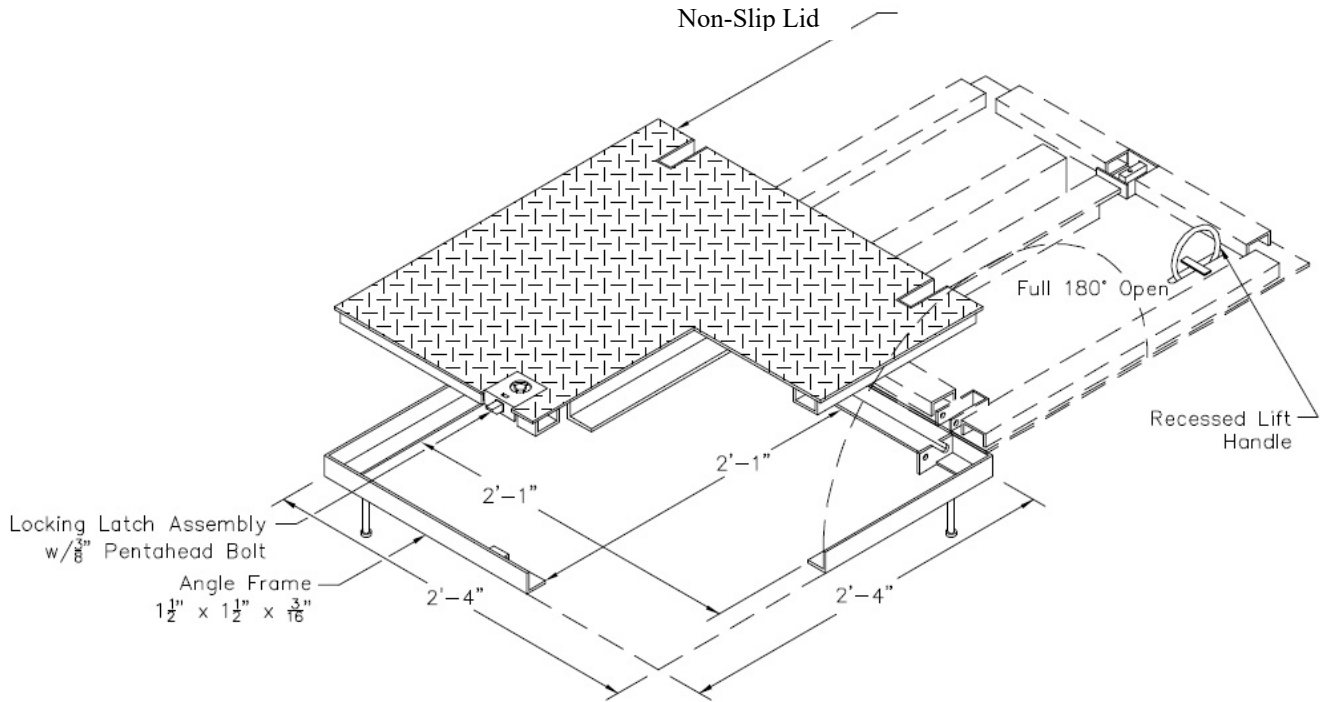
The cover and frame shall be made of slip resistant steel plate

The angle frame shall be securely anchored in the concrete.

Table 4.3. Frame and Cover Features

Non-Slip Surface, (COF)	0.8
Galvanizing	Hot-Dipped Galvanized
Load Rating	H-20
Grounding	Inserts or Lugs
Locking Device	Penta-Bolt Lock
Lift Handle	Recessed Lift Handle

Figure 4.3. 3030 Frame and Cover



5. Issuance

EA

6. Approved Manufacturers

Stock No.	Description	OldCastle Precast / Utility Vault
013186	3030 handhole assembly, base with frame and cover	3030 LA Handhole-SCL-3150010
013187	3030 handhole, base only	3030-B
013188	3030 handhole frame and cover assembly	3030-TC-NSA Non-Slip Door Marked SCL-3150010

7. References

ASTM A123M-08; "Standard Specification for Zinc (Hot-Dip Galvanized) Coatings on Iron and Steel Products"

Detter, Chris; SCL Distribution Engineer and subject matter expert for 7203.04

Ng, Sharon; SCL Civil Engineer and subject matter expert for 7203.04

SCL Material Standard 7203.01; "Precast Reinforced Concrete Handholes, General Requirements"

Standard Plan 550a; "Handholes;" City of Seattle; Public Utilities
http://www.seattle.gov/util/stellent/groups/public/@spu/@esb/documents/webcontent/spu01_003112.pdf

Standard Plan J-40.10-00; "Locking Lid Standard. Junction Box Types 1 & 2;" Washington State Department of Transportation;
http://www.wsdot.wa.gov/publications/fulltext/Standards/4_09StdPlanmanual.pdf

8. Sources

Kim, Sunny; SCL Standards Engineer and subject matter expert for 7203.04

Wang, Quan; SCL Standards Engineer, originator and subject matter expert for 7203.04