

## Outlet and Switch Box Covers, Nonmetallic



### 1. Scope

This standard covers the requirements for nonmetallic outlet and switch box covers.

Outlet and switch box covers are also known as wall plates.

This standard applies to the Seattle City Light (SCL) stock numbers cited in Section 7.

For metallic outlet and switch box covers see SCL 7137.15.

### 2. Application

Outlet and switch box covers are used to close outlet and switch boxes and to provide protection against contact with live terminals and wiring.

Weatherproof, while-in-use covers, Stock No. 014570, are used with weatherproof outlet and switch boxes, Stock Nos. 734567 and 734571.

Article 406 of the National Electrical Code (NEC) covers the installation and use of outlet and switch box covers.

### 3. Industry Standards

Outlet and switch box covers shall meet the applicable requirements of the latest revision of the following industry standards:

**UL 514C**; Standard for Nonmetallic Outlet Boxes, Flush-Device Boxes, and Covers

**ANSI/NEMA OS2**; Nonmetallic Outlet Boxes, Device Boxes, Covers, and Box Supports

**NEMA 250**; Enclosures for Electrical Equipment

**RoHS**; Restriction of Hazardous Substances

---

### 4. Requirements

#### 4.1 Outlet and Switch Box Covers, Non-Weatherproof

Non-weatherproof outlet and switch box covers shall have the following attributes:

- High impact, self-extinguishing molded nylon or polycarbonate
- 0.10" minimum thickness or equivalent mechanical strength
- Standard or mid-size per figures 4.1a and 4.1b
- Slightly beveled edges
- Supplied with captive mounting screws
- -40-degrees Celsius to 85-degrees Celsius operating temperature

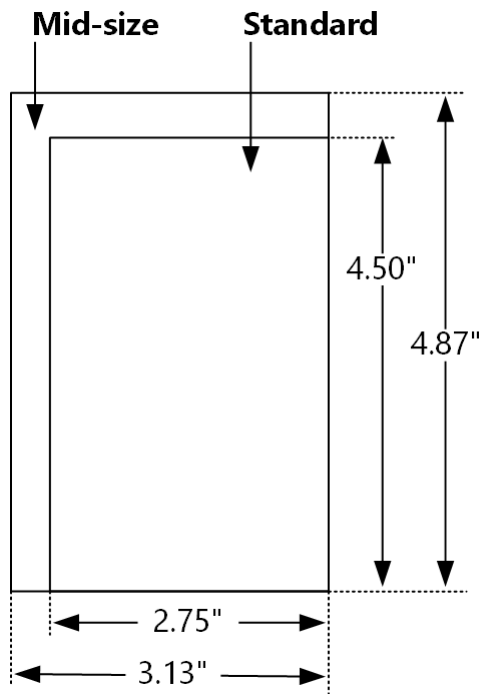
See Section 7 for color.

**Figure 4.1a. Outlet and Switch Box Covers, Non-Weatherproof**

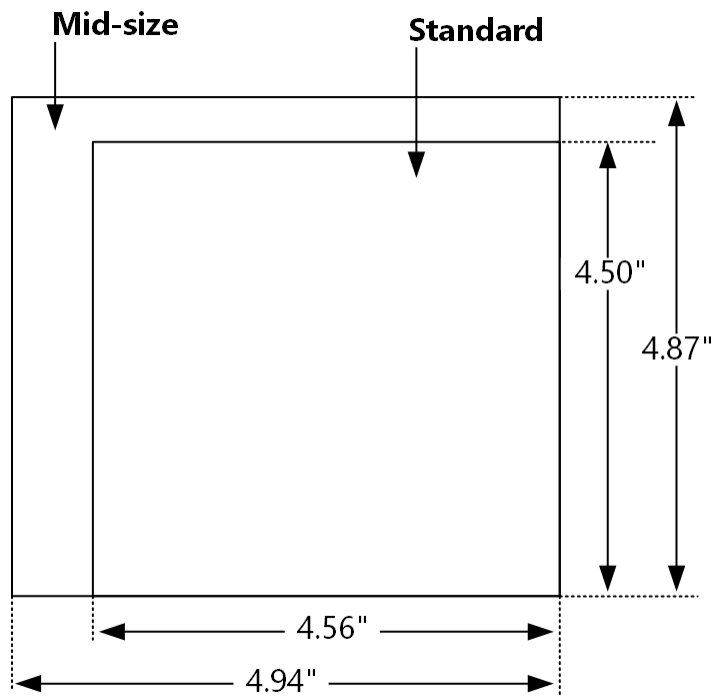


One-gang and two-gang outlet and switch box covers shall fall within the "standard" and "mid-size" dimensions shown in figures 4.1b and 4.1c.

**Figure 4.1b. One-Gang Outlet and Switch Box Cover Dimensions**



**Figure 4.1c. Two-Gang Outlet and Switch Box Cover Dimensions**



#### 4.2 Outlet and Switch Box Covers, Weatherproof While-in-Use

Weatherproof while-in-use outlet and switch box covers are for use with duplex, GFCI, switch, and single receptacles. Covers are installed on 1-gang weatherproof boxes for outdoor or below grade installation.

Weatherproof while-in-use outlet and switch box covers shall have the following attributes:

- Heavy-duty UV stabilized polycarbonate construction
- 1-gang
- Clear cover and gray body color
- Lockable, OSHA lockout/tagout compliant cover
- Designed for vertical or horizontal mounting configurations
- Include gaskets and mounting hardware
- Fit 1-gang metallic and nonmetallic weatherproof boxes
- NEMA 3R rated

See Section 7 for color.

**Figure 4.2. Weatherproof While-In-Use Cover**



---

#### 5. Packaging

Outlet and switch box covers shall be packaged to prevent damage during shipping, handling, and storage.

Each standard package shall be legibly marked with the following information:

- Manufacturer identification
- Product description
- SCL stock number
- Quantity

Each shipping container shall be legibly marked with the following information:

- SCL purchase order number

---

#### 6. Issuance

Stock Unit: EA

## 7. Approved Manufacturers

**Table 7a. Outlet and Switch Box Covers, Non-Weatherproof**

Stock No.	Description	Color	Manufacturer Catalog No.				
			Leviton	Eaton		Hubbell	
			Nylon	Nylon	Polycarbonate	Nylon	Polycarbonate
733401	1-gang for 1 switch	Brown	PJ1	5134B	PJ1B	NP1	P1
733421	1-gang for 1 switch	Ivory	PJ1-I	5134V	PJ1V	NP1I	P11
733402	2-gang for 2 switches	Brown	–	5139B	PJ2B	NP2	P2
733404	2-gang for 2 switches	Ivory	80709-I	5139V	PJ2V	NP2I	P21
733408	1-gang for 1 duplex outlet	Brown	PJ8	5129B	PJ8B	NP8	P8
733428	1-gang for 1 duplex outlet	Ivory	PJ8-I	5129V	PJ8V	NP8I	P81
733417	2-gang for 2 duplex outlets	Brown	PJ82	5150B	PJ82B	NP82	P82

**Table 7b. Outlet and Switch Box Covers, Weatherproof While-In-Use**

Stock No.	Description	Color	Eaton	Hubbell	Intermatic
014570	Weatherproof while-in-use cover	Body: gray Cover: clear	CKPM	MM420C	WP5000C

## 8. References

**SCL Material Standard 7136.15; “Outlet and Switch Boxes, Metallic”**

## 9. Sources

[www.hubbell.com](http://www.hubbell.com)

[www.eaton.com](http://www.eaton.com)

[www.leviton.com](http://www.leviton.com)

[www.intermatic.com](http://www.intermatic.com)

**Article 406 of the National Electrical Code (NEC)**

**Shetab, Muneer**; SCL Standards Engineer, originator, and subject matter expert for 7137.19

**Stock Catalog Page 73-25**; January 27, 2014