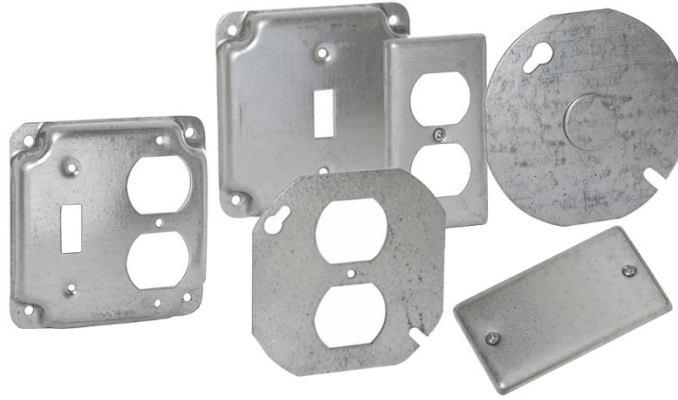


Outlet and Switch Box Covers, Metallic



1. Scope

This standard covers the requirements for metallic outlet and switch box covers.
This standard applies to the Seattle City Light (SCL) stock numbers cited in Section 7.
For metallic outlet and switch boxes see SCL 7136.15.
For nonmetallic nylon wall plates see SCL 7137.19.

2. Application

Covers are used to close metallic outlet and switch boxes.
Round covers can also be used to close octagonal boxes.
Weatherproof cover plates, SCL Stock No. 732318, are used with weatherproof receptacle boxes, SCL Stock No. 732149.
Article 406 of the National Electrical Code (NEC) covers the installation and use of outlet and switch box covers.

3. Industry Standards

Outlet and switch box covers shall meet the applicable requirements of the latest revision of the following industry standards:

ANSI/NEMA OS1; Sheet-Steel Outlet boxes, Device Boxes, Covers, and Box Supports

Article 406 of the National Electrical Code (NEC)

NEMA 250; Enclosures for Electrical Equipment

UL 514A; Metallic Outlet Boxes

Standards Coordinator
Muneer Shetab

Standards Supervisor
Brett Hanson

Division Director
Bob Risch

4. Requirements

Attributes for outlet and switch box covers are detailed in subsections 4.1 through 4.5.

4.1 Octagonal Box Covers

Octagonal box covers shall have the following attributes:

- Steel, hot-dip galvanized construction
- 0.0625 inches minimum thickness

Figure 4.1. Octagonal Box Covers

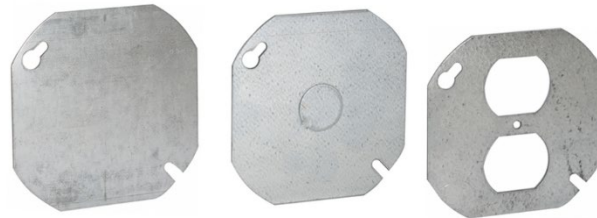


Table 4.1. Octagonal Box Configurations and Sizes

Stock No.	Description	Diameter(in), nominal
732215	Flat - blank	3-1/2
732230	Flat - blank	4
732233	Flat with 1/2" KO	4
732242	Duplex outlet	4

4.2 Square Box Covers

Square box covers shall have the following attributes:

- Steel hot-dip galvanized construction
- 0.0625 inches minimum thickness
- 1/2-inch raised depth
- 5/8-inch raised depth for Stock No. 014568

Figure 4.2. Square Box Covers



Table 4.2. Square Box Cover Configurations and Sizes

Stock No.	Description	Size (in), nominal
732251	Flat - blank	4 x 4
014569	Flat with 1/2-in K.O.	4 x 4
010419	One toggle switch	4 x 4
732282	Two toggle switches	4 x 4
010417	1 switch & 1 duplex receptacle	4 x 4
010416	1 duplex receptacle	4 x 4
010418	Two duplex receptacles	4 x 4
010420	GFCI receptacle	4 x 4
014568	Center blanked with topped 5/8-in raised depth	4 x 4

4.3 Utility Box Covers

Utility box covers shall have the following attributes:

- Steel, hot-dip galvanized construction
- 0.0625 inches minimum thickness
- Supplied with captive mounting screws

Figure 4.3. Utility Box Covers



Table 4.3 Utility Box Cover Configurations

Stock No.	Description	To Fit Box No.
732305	Flat - blank	732130
732307	Single outlet	732130
732309	Duplex outlet	732130
732311	Toggle switch	732130
732313	Flat - blank	732142
732316	Duplex outlet	732142
732317	Toggle switch	732142

4.4 Wall Plates

Wall plates shall have the following attributes:

- 302/304 stainless steel construction
- 0.032" minimum thickness
- Stainless steel color
- Supplied with mounting screws
- Non-magnetic
- Slightly beveled edges
- Dimensions within "standard" and "mid-size" as shown in Figure 4.4a

Figure 4.4a. Wall Plate Dimensions

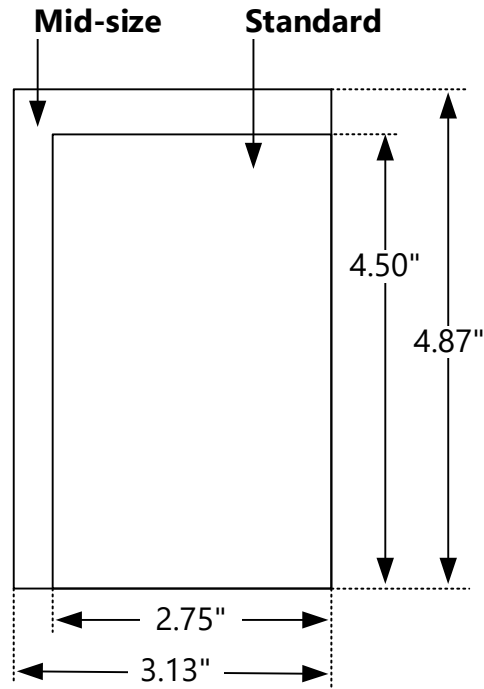


Figure 4.4b. Wall Plates



Table 4.4. Wall Plate Configurations

Stock No.	Description	To Fit Box No.
733429	Toggle switch	732130
733430	Duplex outlet	732130
732309	Flat - blank	732130

4.5 Weatherproof Covers

Weatherproof covers shall have the following attributes:

- Die-cast aluminum construction
- Gray powder coating for weatherability
- Include gasket and mounting hardware
- Self-closing lid
- NEMA 3R rated

4.5.1. Weatherproof Duplex Covers

Weatherproof duplex covers are for use whenever weatherproof protection is required for an outdoor receptacle. It is used with weatherproof duplex outlet box, Stock No. 732149.

Figure 4.5.1. Weatherproof Duplex Cover



Table 4.5.1. Weatherproof Duplex Cover Dimensions, nominal

Stock No.	Length (in)	Width (in)	Style
732318	4-9/16	2-13/16	Horizontal

4.5.2. Weatherproof GFCI Covers

Weatherproof GFCI covers are for use whenever weatherproof protection is required for an outdoor GFCI receptacle. It is used with streetlight GFCI receptacle Stock No. 569220.

Figure 4.5.2. Weatherproof GFCI Cover



Table 4.5.2. Weatherproof GFCI Cover Dimensions, nominal

Stock No.	Length (in)	Width (in)	Style
569225	4-3/4 ± 1/4	3 ± 1/4	Vertical

5. Packaging

Outlet and switch boxes shall be packaged to prevent damage during shipping, handling, and storage.

Each standard package shall be legibly marked with the following information:

- Manufacturer identification
- Product description
- SCL stock number
- Quantity

Each shipping container shall be legibly marked with the following information:

- SCL purchase order number

6. Issuance

Stock Unit: EA

7. Approved Manufacturers

Table 7.1. Octagonal Box Covers

Stock No.	Description	Manufacturer Catalog No.				
		Appleton	Bowers	Raco	Steel City	Crouse-Hinds
732215	Flat - blank	8301-A	300-BW	703	24-C-1-25	TP270
732230	Flat - blank	8403	500-BW-C	722	54-C-1	TP323
732233	Flat with 1/2-in K.O.	8413	500-K	724	54-C-6	TP328
732242	Duplex outlet	8420-LR	500-DR	731	5402-LR	TP336

Table 7.2. Square Box Covers

Stock No.	Description	Manufacturer Catalog No.				
		Appleton	Bowers	Raco	Steel City	Crouse-Hinds
732251	Flat - blank	8465	400-BW	752	52-C-1	TP472
014569	Flat w/ 1/2-in K.O.	8474	400-K	753	52-C-6	TP478
010419	One toggle switch	8361	460-BW	800C	RS 9	TP512
732282	Two toggle switches	8367	456	803C	RS 5	TP508
010417	1 switch & 1 duplex receptacle	8375N	451-NEC	906C	RS 2	TP 506
010416	1 duplex receptacle	8365N	453-NEC	902C	RS 12	TP516
010418	Two duplex receptacles	8371N	452-NEC	907C	RS 8	TP510
010420	GFCI receptacle	8362	-	808C	RS-16-CC	TP513
014568	Center blanked w/ topped 5/8-in raised depth	8461	401-CC	756	52-C3-25	TP477

Table 7.3. Utility Box Covers

Stock No.	Description	Manufacturer Catalog No.				
		Appleton	Bowers	Raco	Steel City	Crouse-Hinds
732305	Flat - blank	2540	100	860	58-C-1	TP608
732307	Single outlet	2539	100-SR	863	58-C-5	TP612
732309	Duplex outlet	2510	100-DR	864	58-C-7	TP616
732311	Toggle switch	2594	100-TS	865	58-C-30	TP618
732313	Flat - blank	180A	100-BW	–	68-C-1	–
732316	Duplex outlet	180W	100-DR	–	68-C-7	–
732317	Toggle switch	180T	100-TS	–	68-C-30	–

Table 7.4. Wall Plates

Stock No.	Description	Manufacturer Catalog No.				
		Appleton	Bowers	Raco	Steel City	Crouse-Hinds
733429	Toggle switch	84001-40	SS1	SS1	93071	SS1
733430	Duplex outlet	84003-40	SS8	SS8	93101	SS8
733432	Flat - blank	84014.40	SS13	SS13	93151	SS13

Table 7.5. Weatherproof Duplex Covers

Stock No.	Manufacturer Catalog No.			
	Appleton	Bowers	Raco	Steel City
732318	WHD1	TP7207	5180-0	WR81-C

Table 7.6. Weatherproof GFCI Covers

Stock No.	Manufacturer Catalog No.	
	Thomas & Betts	Sigma
569225	DCCU	14147

8. References

SCL Material Standard 7136.15; "Outlet and Switch Boxes, Metallic"

SCL Material Standard 7137.19; "Outlet and Switch Box Covers, Nonmetallic"

9. Sources

electrification.us.abb.com

SCL Stock Catalog Page 73-19, May 28, 2009

SCL Stock Catalog Page 73-25; January 27, 2014

Shetab, Muneer; SCL Standards Engineer, originator, and subject matter expert for 7137.15

sigmaengineeredolutions.com

www.appleton.emerson.com/en-us/appleton

www.crouse-hinds.com

www.legrand.com

www.leviton.com

www.tnb.com