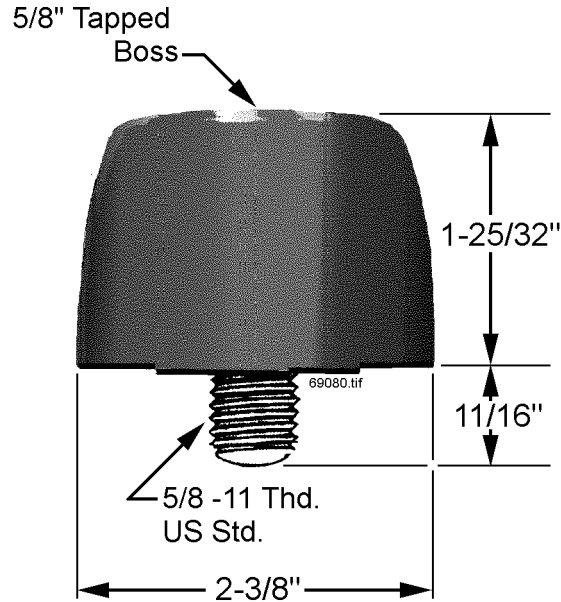


MATERIAL STANDARD

INSULATOR, PHENOLIC SPOOL NEUTRAL BUS SUPPORT



General: Molded phenolic insulator is intended for a maximum of 750 V service. All threads are 5/8" - 11 NC with a minimum of 11/16" thread depth. Cantilever rating is 250 foot pounds (minimum).

Stock Unit: EA

Stock Number: 690880

Approved Manufacturer: Phoenix Mining Equip. #8525

Standards Coordinator
Laura Vanderpool

Standards Supervisor
John Shipek

Unit Director
Darnell Cola