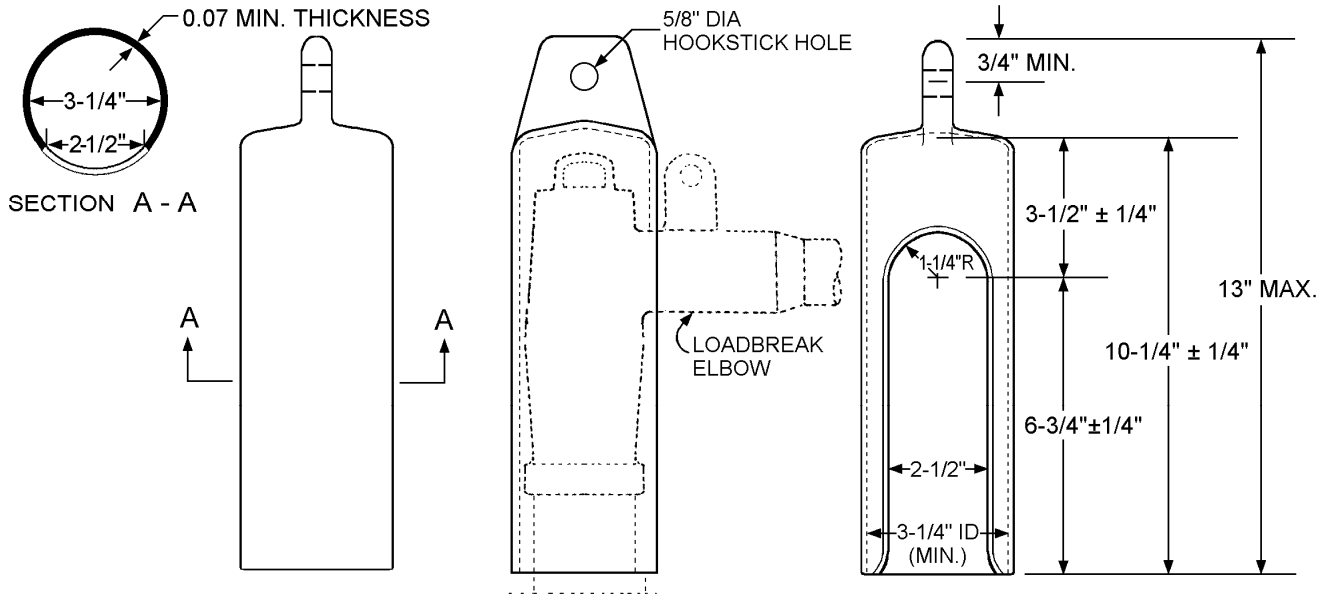


**SEATTLE CITY LIGHT
 MATERIAL STANDARD**

COVER, LOADBREAK ELBOW



Covers for loadbreak elbows, of the configuration shown, are intended to aid in keeping the loadbreak elbow/bushing interfaces free of dirt, mud, and other contaminants. Reasonable variations are acceptable.

Covers shall be made from PVC, polyethylene, or other plastic material suitable for use in underground vaults. The covers may be fabricated from 3" PVC conduit.

Color: Black

Stock Unit: EA

Stock Number	Approved Manufacturer
	CMC
686467	CC-1928-1

standards coordinator

John Shipek

John Shipek

standards supervisor

John Shipek

John Shipek

unit director

Pamela S. Johnson

Pamela S. Johnson