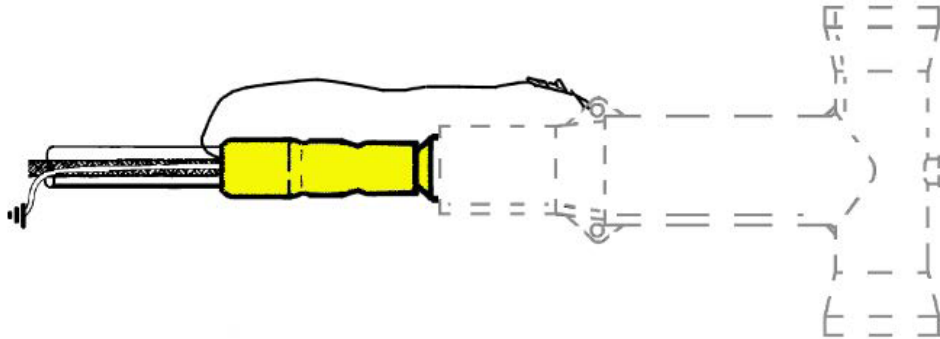


Shield Adapter Kits for Flat Strap, Tape, or Drain Wire Shielded Cable



1. Scope

This standard covers the requirements for shield adapter kits for flat strap, tape, or drain wire shielded cable.

This standard applies to the following Seattle City Light (SCL) stock numbers:

Stock No.	Description
012662	Standard fault duty
686512	High fault duty

2. Application

Shield adapter kits are designed to accommodate the grounding of accessories installed on conventional tape, drain wire, and flat strap shielded power cable. Adapter kits provide cable jacket-to-accessory sealing and grounding.

Standard fault duty shield adapter kits have a ground fault current capacity limit of 3,000 A (for 30 cycles).

High fault duty shield adapter kits have a ground fault current capacity limit of 12,000 A (for 30 cycles).

3. Requirements

Shield adapter kits shall include items as described below and shown in Figure 3:

- Cold shrink sealing tube
- Mastic sealing strips
- Printed instructions
- Constant force spring
- Semicon tape
- Ground braid with bleed wire

Standards Coordinator
Curtis Lu

Standards Supervisor
John Shipek

Unit Director
Andrew Strong



Figure 3. Shield Adapter Kit Components



not shown: printed instructions

Standard fault duty adapter kits contain an L-shaped (single tail) braid and a 5/8-in wide by 3/4-in diameter constant force spring.

High fault duty adapter kits contain a U-shaped (double tail) braid and a 3/4-in wide by 1-1/2-in diameter constant force spring.

Kits shall be designed to accommodate the cables described in Table 3.

Table 3. Shield Adapter Kit Applications

Stock No.	Application Range, Cable Jacket Diameter (in)	Typical Cable Configurations
012662	0.83 to 1.64	#2 AWG to 250 kcmil, 15 kV #2 AWG to 250 kcmil, 28 kV #8 AWG, 27 kV, Kerite
686512	1.27 to 2.17	350 to 1000 kcmil, 15 kV 350 to 750 kcmil, 28 kV

4. Packaging

Kits shall be packaged to prevent damage during shipping, handling, and storage.

Individual packages shall be legibly marked with:

- Manufacturer name
- Manufacturer part number
- Product description
- Seattle City Light stock number

Shipping containers shall be legibly marked with:

- Seattle City Light purchase order number

5. Issuance

Stock Unit: EA

6. Approved Manufacturers

Stock No.	Manufacturer	Catalog No.
012662	3M	8460
686512	"	8461-HSG-W

7. Sources

SCL Stock Catalog page 70-24; September 18, 2017

Lu, Curtis; SCL Standards Engineer and originator of 6863.19

www.3M.com