

MATERIAL STANDARD

CONNECTOR BAR

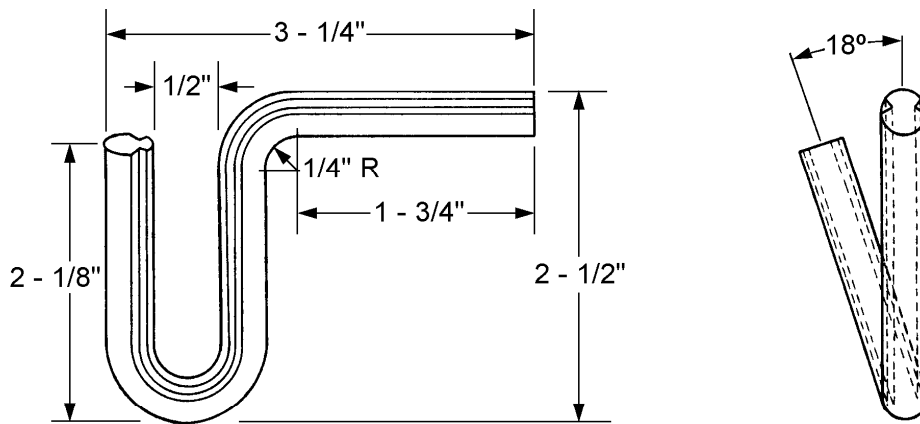
Connector Bars are used to offset fault limiters from fused cutouts, particularly on wire #2 in three-phase construction.

Material: #2/0 copper trolley wire (Stock No. 610020)

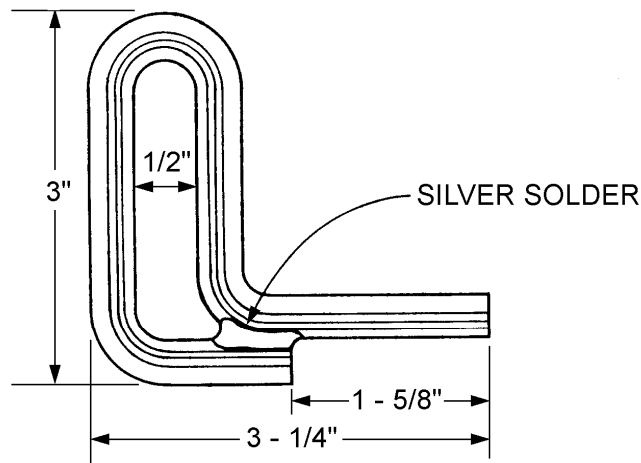
Manufacturer: City Light Shops

Reference Standards: Construction Guideline D11-2

Stock Unit: EA



Standard Connector Bar
Stock No. 684910



Reinforced Connector Bar
Stock No. 684912

6849-1.TIF

ORIGINATOR	STANDARDS COORDINATOR	STANDARDS SUPERVISOR	UNIT DIRECTOR
<i>Jim S. Horn</i>	<i>Charles L. Shaffer</i>	<i>John C. Skinner</i>	<i>Betty Robm</i>