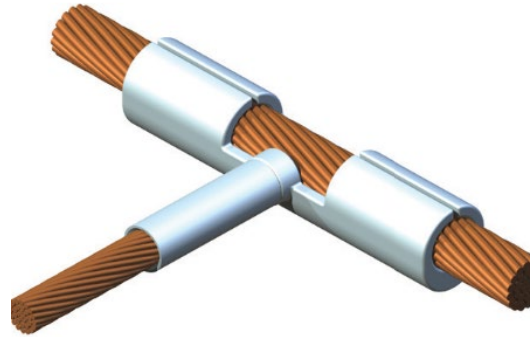


## Connectors, Tee, Compression, Bronze



### 1. Scope

This standard covers the requirements for bronze, compression, tee connectors.

This standard applies to Seattle City Light (SCL) Stock No. 679648.

### 2. Application

Tee connectors are used to make a tap connection to a continuous run of copper cable.

Tee connectors are installed with Y35/39 Die U34CRT or U28CRT.

### 3. Industry Standards

Tee connectors shall meet the applicable requirements of the latest revision of the following industry standard:

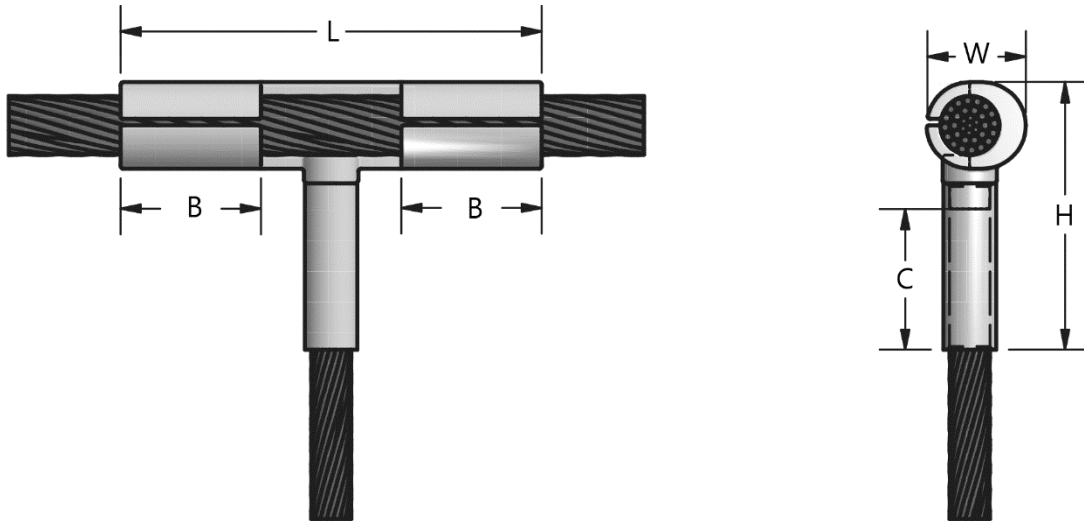
**ANSI C119.4**; American National Standard for Electric Connectors— Connectors for Use between Aluminum-to-Aluminum and Aluminum-to-Copper Conductors Designed for Normal Operation at or Below 93°C and Copper-to-Copper Conductors Designed for Normal Operation at or Below 100°C

### 4. Requirements

Tee connectors shall have the following attributes:

- Tin-plated copper alloy
- Run member tapped tabs are U-shaped before compression
- Physical design and dimensions according to Table 4 and Figure 4.

**Figure 4. Tee Connector**



**Table 4. Tee Connector Dimensions**

Cable Size (AWG/kcmil)		Connector Dimensions (in)				
Run	Tap	Length (L)	Width (W)	Height (H)	Run Tab Length (B)	Tap Barrel Depth (C)
500	4/0	4-11/16	1-1/16	3-1/8	1-3/8	1-5/8

## 5. Marking

Tee connectors shall be legibly marked with the following:

- Manufacturer's name or trademark
- Catalog number
- Conductor size

## 6. Packaging

Tee connectors shall be packaged to prevent damage during shipping, handling, and storage.

Packages shall be legibly marked with the following information:

- Manufacturer identification
- Product catalog part number
- Product description
- Seattle City Light stock number
- Quantity

Each shipping container shall be legibly marked with the following information:

- Seattle City Light purchase order number

## 7. Issuance

Stock unit: EA

## 8. Approved Manufacturers

<b>Manufacturer</b>	<b>Catalog No.</b>
AFL/Dossert	CST 50-21

---

## 9. Sources

**AFL, Bronze Compression Connectors, PP-3-00295**; Revision 1, 1.10.18 (2011)

**Stock Catalog Page 65-25**; December 31, 2014

**Wang, Quan**; SCL Standards Engineer, originator, and subject matter expert for 6773.57  
([quan.wang@seattle.gov](mailto:quan.wang@seattle.gov))

[www.aflglobal.com](http://www.aflglobal.com)