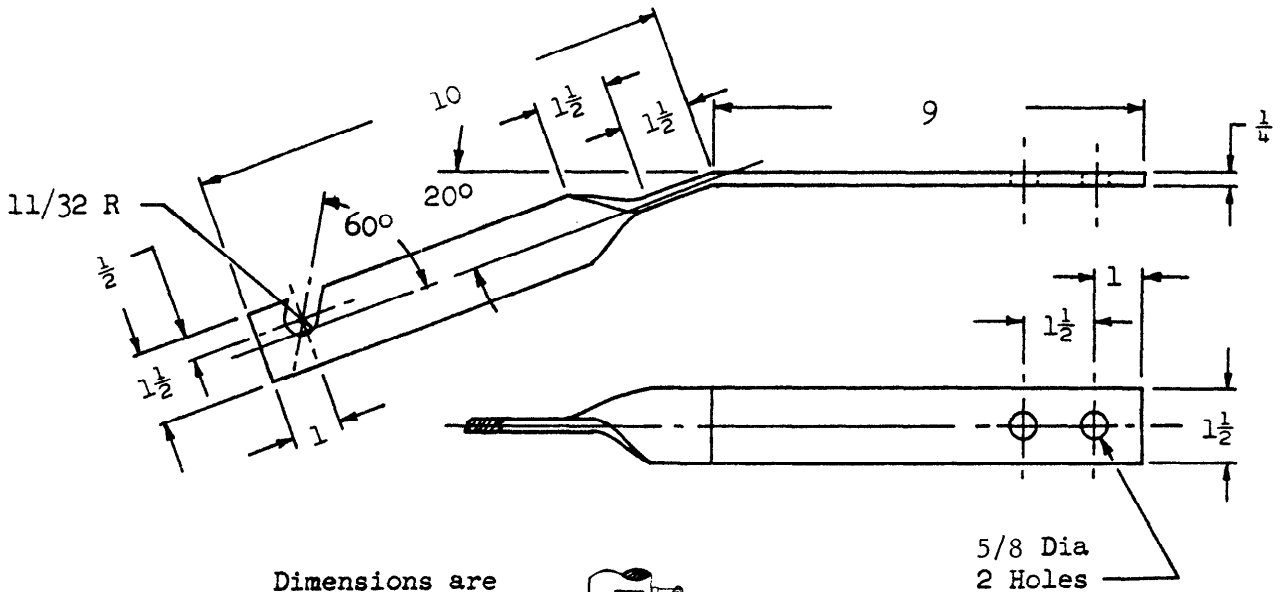


STRAPS

SECONDARY RACK REINFORCING



Dimensions are  
in inches.

5/8 Dia  
2 Holes

SECONDARY RACK REINFORCING STRAPS shall be of the configuration and dimensions shown, and shall be made of hot-rolled bar steel conforming to ASTM specification A 107.

The straps shall be galvanized, after fabrication, in accordance with ASTM specification A 153.

Reference Specifications: ASTM A 107, A 153, latest revisions.

Stock Unit: Each

Stock Number: 583370

ORIGINATOR	STANDARDS COORDINATOR	STANDARDS SUPERVISOR	UNIT DIRECTOR
<i>J E Perry</i>	<i>Charles J. Shaffer</i>	<i>John Skinner</i>	<i>D. DeVries</i>