

Pedestrian Luminaires, LED, Post-Top, Classic



1. Scope

This standard covers the requirements for light-emitting diode (LED), post-top, classic, pedestrian luminaires.

This standard applies to the following Seattle City Light (SCL) stock numbers:

Stock No.	Color	Description
014359	Black	Serenade S56
014360	Dark green	Serenade S56
014689	Flame red	Serenade S56
014361	Black	K56 Cleveland
014362	Red	K56 Cleveland

2. Application

Classic LED luminaires are:

- Installed in City-designated areas and SCL-designated streetlight districts.
- Post-top mounted on streetlight poles with a 4-in pole-top outer diameter.
- Equipped with a built-in slipfitter with a tool-less door to house a standard, three-pin photocontrol.

Standard Coordinator
Quan Wang

Standards Engineering Supervisor
John Shipek

Division Director
Tamara Jenkins

3. Industry Standards

Classic LED luminaires shall meet the applicable requirements of the following industry standards:

ANSI/NEMA/ANSLG C78.377-2008; Specifications for the Chromaticity of Solid State Lighting (SSL) Products

ANSI C136.10-2010; Locking-Type Photocontrol Devices and Mating Receptacles

ANSI C136.31-2010; American National Standard for Roadway Lighting Equipment – Luminaire Vibration

ANSI C136.37-2011; American National Standard for Roadway and Area Lighting Equipment – Solid State Light Sources Used in Roadway and Area Lighting

ANSI C136.41-2013; Dimming Control Between an External Locking Type Photocontrol and Ballast or Driver

ASTM B117-09; Standard Practice for Operating Salt Spray (Fog) Apparatus

ASTM D1654-08; Standard Test Method for Evaluation of Painted or Coated Specimens Subjected to Corrosive Environments

ASTM D523-08; Standard Test Method for Specular Gloss

ASTM G154-06; Standard Practice for Operating Fluorescent Light Apparatus for UV Exposure of Nonmetallic Materials

C136.15-2011 (or latest); American National Standard for Roadway and Area Lighting Equipment – Internal Labeling of Luminaires

C136.22-2004 (R2009); American National Standard for Roadway and Area Lighting Equipment – Ingress Protection (Resistance to Dust, Solid Objects and Moisture) for Luminaire Enclosures

Federal Trade Commission (FTC); Green Guides, 16 CFR Part 260; Guides for the Use of Environmental Marketing

IEC 60529; Degrees of Protection Provided by Enclosures (IP Code), consolidated edition

IEEE C62.41.2-2002; IEEE Recommended Practice on Characterization of Surges in Low-Voltage (1000 V and less) AC Power Circuits

IES LM-79-08; Approved Method: Electrical and Photometric Measurements of Solid-State Lighting Products

IES LM-80-08; Approved Method: Measuring Lumen Maintenance of LED Lighting Sources

IESNA TM-15-11 (revised); Luminaire Classification System for Outdoor Luminaires

RoHS (European Union Directive 2002/95/EC for Restriction of Hazardous Substance)

Title 47 of the Code of Federal Regulations (CFR), Part 15; Radio Frequency Devices

UL 1598; Luminaires; UL

4. Requirements

4.1 Luminaire Performance

Correlated Color Temperature (CCT), nominal, °K, per ANSI/NEMA/ANSI C78.377	3000 ± 200
Color rendering index (CRI), minimum	70
L70 Lumen depreciation of LED light sources per IES LM-80, hours, minimum	100,000
Light distribution, IES	Type 5
Luminaire efficacy, lumens/watt, minimum, per IES LM-79, Section 11.0	102.6
Off-state power consumption, W, maximum	0.5

4.2 Power Supply/Driver

Input voltage, functional range, 60 Hz, Vac	120 to 277
Operating temperature, range	
°C	-40 to +55
°F	-40 to +130
Dimming control signal interface operative range, Vdc	0 to 10
Power factor, minimum	90

4.3 Construction

The luminaire shall be designed and constructed to meet the requirements of ANSI C136.37.

Luminaire features conforming to ANSI C136.37 shall include, but not be limited to:

- Mounting provisions
- Latching and hinging
- Terminal blocks
- Dimming
- Ingress protection
- Wiring and grounding
- Photocontrol receptacle
- Manual wattage selector

Luminaire shall be RoHS compliant. Luminaire shall have less than the maximum concentration values of the following RoHS-restricted substances:

- Mercury (Hg)
- Cadmium (Cd)
- Chromium VI (Cr +6)
- Polybrominated biphenyl (PBB)
- Polybrominated biphenyl ether (PBDE)
- Lead (Pb)

4.4 Fixture Housing

Luminaire weight (lb) maximum	60
Effective projected area (EPA), ft ² , maximum	2.2
External housing, ingress protection per IEC 60529	IP65
Optical chamber, ingress protection per IEC 60529	IP66

Luminaire housing shall be cast aluminum and allow for tool-less entry.
Photocontrol receptacle shall be located at the base of the luminaire and allow for tool-less entry.
Luminaire cooling system shall consist of passive heat sink without fans, pumps, or liquids.

All aesthetic exterior fasteners shall be corrosion resistant, die cast aluminum; painted the same color as the luminaire housing or other approved protective coating, e.g. ceramic primer-seal basecoat. Internal fasteners shall be stainless steel.
All acrylic components shall be UV stabilized.

4.5 Electrical

Power supply/driver shall be UL Recognized for dry and damp locations.
All other electrical components shall be UL Listed or UL Recognized for wet locations.
Luminaire photocontrol receptacle shall be designed and constructed to accept a standard plug type, locking, three-pole, three-wire, streetlight photocontrol, and shall be located at the base of the fixture.
Photocontrol receptacles shall have seven positions as defined in ANSI C136.41, including three twist-lock power contacts and four dimming or lighting control contacts.
Rotational adjustment of the photocontrol shall be tool-less.
Luminaire circuitry shall include quick connect/disconnects to allow easy separation and removal of driver and power door.
A three-pole terminal block capable of accepting #14 to #6 AWG wire shall be mounted to the housing inside the electrical compartment.
Terminal block shall be capable of operation with a standard #2 flat blade screwdriver.
Luminaire shall meet the requirements of Title 47 of the Code of Federal Regulations (CFR), Part 15 – Radio Frequency Devices.
Luminaire shall have an internal wattage selector capable of manually lowering lumen output; selector shall have a minimum of five adjustment settings.

4.6 Mounting

Luminaire shall be designed for post-top mounting onto a pole with a top diameter of 4 inches.
Tenon mounting area opening shall be limited to 1/4-in over the range of tenon sizes and leveling adjustment to prevent entrance of wildlife as specified in ANSI C136.37.

4.7 Lens

Lens shall be lightly diffused and resistant to ultraviolet light deterioration.
Lens shall be smooth on the exterior to discourage the unwanted growth of moss and mold.

4.8 Finish

Finish on housing shall be a powder coating with a minimum thickness of 100 microns.
 Finish shall meet salt spray requirements of ASTM B 117 and the humidity resistance requirements of ASTM D 2247.

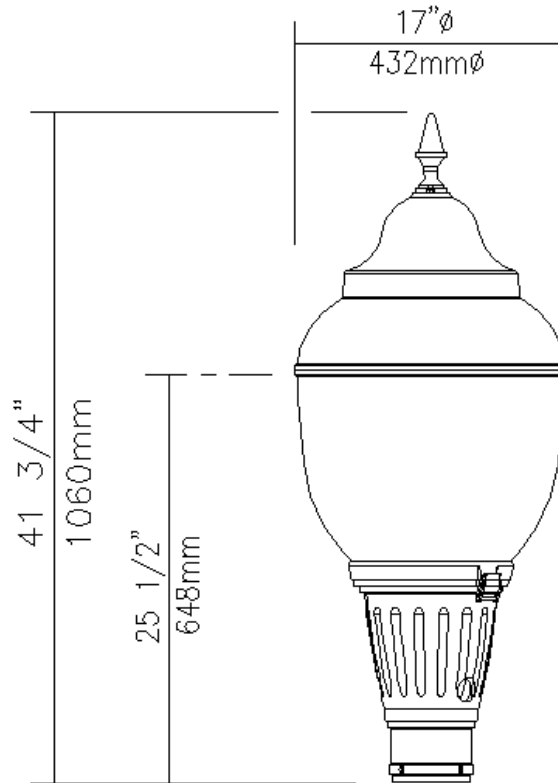
4.9 Luminaire Requirements

Physical and electrical details for specific luminaires are provided below.

Stock Numbers 014359, 014360, and 014689 – Serenade S56

System power consumption (W)	36
Weight (lb)	60
EPA, (ft ²)	2.17
Tenon mounting requirements, outside diameter by length (in)	4"Ø x 4"
Dimensions, height by width (in)	41.75" x 17"

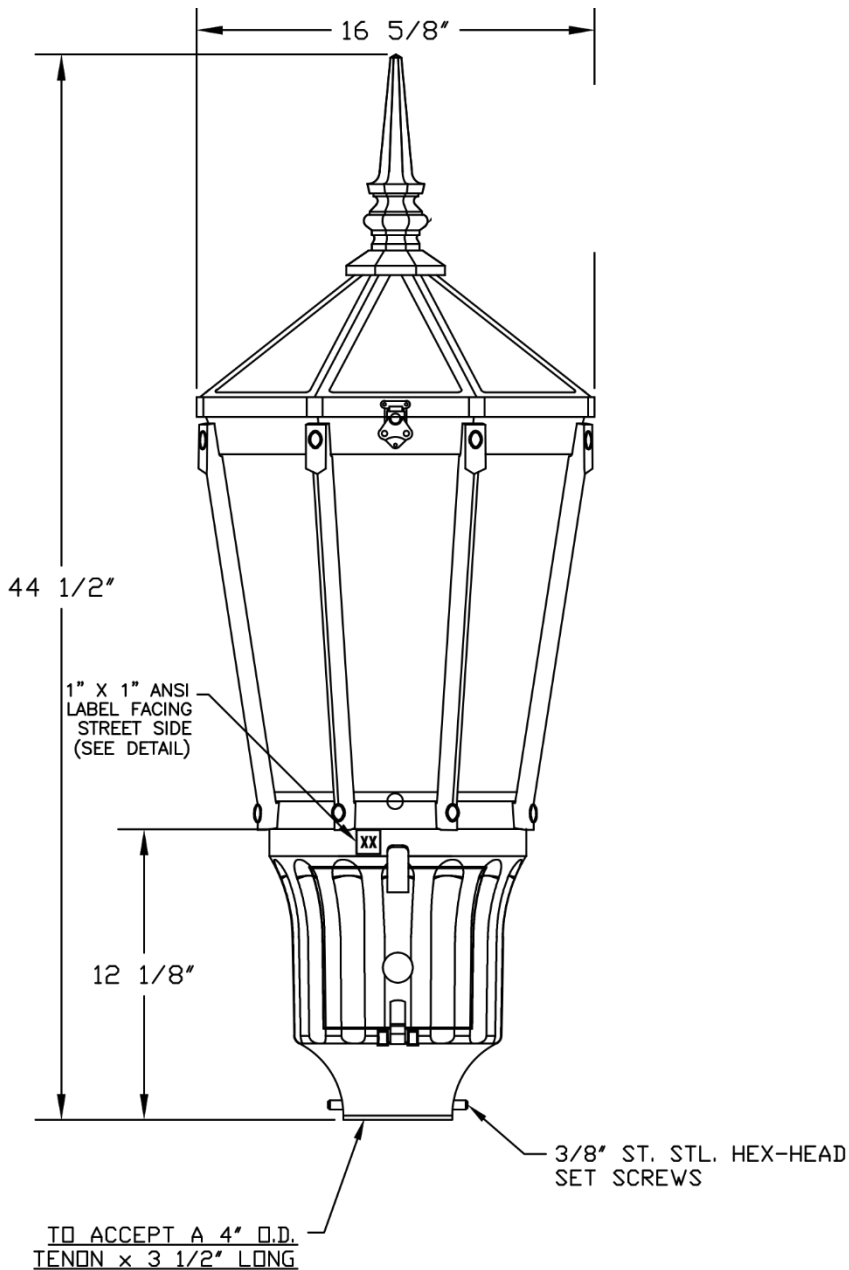
Figure 4.9a. Serenade Luminaire Dimensions



Stock Numbers 014361 and 014362 – K56 Cleveland

System power consumption (W)	40
Weight (lb)	50
EPA, (ft ²)	3.5
Tenon mounting requirements, outside diameter by length (in)	4"Ø x 3.5"
Dimensions, height by width (in)	45.5" x 16-5/8"

Figure 4.9b. Cleveland Luminaire Dimensions



5. Testing

Manufacturers shall provide test data that establishes compliance with the requirements of this material standard upon request.

Certificate of RoHS compliance shall be provided upon request.

6. Design Changes

Manufacturer shall inform Seattle City Light in writing of all design changes that could affect the product's understood or published capabilities.

7. Marking

7.1 Internal Labeling

A readily visible label shall be permanently affixed to the inside surface of each luminaire housing.

Internal label shall meet the requirements of ANSI C136.22.

Internal label shall include, but not be limited to, the following information:

- Manufacturer name and catalog number
- Month and year of manufacture
- Line input voltage
- Frequency if other than 60 Hz
- Driver type, if applicable (may be on driver if readily visible)
- Photocontrol voltage if different from line input voltage
- Lamp type, wattage, and voltage (if applicable; may be on driver if readily visible)
- Descriptive wiring diagram showing input terminals, ballast, capacitors, starting aid, photocontrol receptacle, lamp, and the like, as necessary
- Plant location
- Input power consumption
- Driver output current
- Driver output adjustment
- IEC IP rating
- Correlated color temperature (CCT)
- IES light distribution type
- IESNA TM-15 BUG ratings
- Serial number

7.2 Barcode

A barcode label shall be provided as specified in the purchase order.

7.3 Compliant Identification

All UL Listed or UL Recognized components shall be labeled as such.

8. Packaging

Luminaires and accessories shall be separately packaged to prevent damage during shipping, inside storage, and casual handling prior to installation.

Each luminaire package shall be legibly marked with:

- Manufacturer's name
- Manufacturer's catalog number
- Product description
- Date of manufacture (month and year)
- Seattle City Light stock number
- Seattle City Light purchase order number

Each package of accessories shall be legibly marked with:

- Product description
- Seattle City Light stock number

9. Issuance

EA

10. Approved Manufacturers

Stock No. 014359

Manufacturer: Philips Lumec

Catalog Number: ~~[S56-013]-35W-32LED-3K-G3-ACDR-LE5-UNV-DMG-SFX-[FAWS-017]-FN10-PH8/RCD-BKTX~~

where:

[S56-013] = model, S56, custom

35W = wattage, 35 W

32LED = number of LEDs, 32

3K = color temperature, 3000 K

G3 = LED type, Generation 3

ACDR = hood and globe, seamless acrylic globe with inner prismatic surface

LE5 = light distribution, type 5

UNV = voltage, 120–277 Vac

DMG = dimmable driver 0–10 V

SFX = options, slipfitter

[FAWS-017] = Field Adjustable Wattage Selector, pre-set to position 5

FN10 = options, F10 finial style

PH8/RCD = options, 5-pin photoelectric cell receptacle, pre-wired

BKTX = finish, textured black

Stock No. 014360

Manufacturer: Philips Lumec

Catalog Number: [S56-013]-35W-32LED-3K-G3-ACDR-LE5-UNV-DMG-SFX-[FAWS-017]-FN10-PH8/RCD-GN8TX

where:

[S56-013] = model, S56, custom

35W = wattage, 35 W

32LED = number of LEDs, 32

3K = color temperature, 3000 K

G3 = LED type, Generation 3

ACDR = hood and globe, seamless acrylic globe with inner prismatic surface

LE5 = light distribution, type 5

UNV = voltage, 120–277 Vac

DMG = dimmable driver 0–10 V

SFX = options, slipfitter

[FAWS-017] = Field Adjustable Wattage Selector, pre-set to position 5

FN10 = options, F10 finial style

PH8/RCD = options, 5-pin photocell receptacle, pre-wired

GN8TX = finish, textured dark green

Stock No. 014689

Manufacturer: Philips Lumec

Catalog Number: [S56-013]-35W-32LED-3K-G3-ACDR-LE5-UNV-DMG-SFX-[FAWS-017]-FN10-PH8/RCD-SCRAL3000TX

where:

[S56-013] = model, S56, custom

35W = wattage, 35 W

32LED = number of LEDs, 32

3K = color temperature, 3000 K

G3 = LED type, Generation 3

ACDR = hood and globe, seamless acrylic globe with inner prismatic surface

LE5 = light distribution, type 5

UNV = voltage, 120–277 Vac

DMG = dimmable driver 0–10 V

SFX = options, slipfitter

[FAWS-017] = Field Adjustable Wattage Selector, pre-set to position 5

FN10 = options, F10 finial style

PH8/RCD = options, 5-pin photocell receptacle, pre-wired

SCRAL3000TX = finish, textured flame red (RAL 3000)

Stock No. 014361

Manufacturer:	King Luminaire
Catalog Number:	K56-C-K24-3OD-P4AR-V-40(SSL) -7030-120:277-PR7-#6-BK-WS-ANSI-3K
<i>where:</i>	
K56 =	model, K56
C =	style, Cleveland
K24 =	pole adaptor, K24 capital
3OD =	slipfitter, 3-in outer diameter
P4AR =	optical system, P4 flat array acrylic rippled
V =	light distribution, type 5
40(SSL) =	wattage, 40 W, solid-state lighting
7030 =	LED series, 7030
120:277 =	voltage, 120-277 Vac
PR7 =	options, 7-pin twist-lock photo receptacle
#6 =	finial
BK =	finish, textured black
WS =	wattage selector
ANSI =	ANSI wattage label
3K =	correlated color temperature, 3000 K

Stock No. 014362

Manufacturer:	King Luminaire
Catalog Number:	K56-C-K24-3OD-P4AR-V-40(SSL) -7030-120:277-PR7-#6-RAL3000-WS-ANSI-3K
<i>where:</i>	
K56 =	model, K56
C =	style, Cleveland
K24 =	pole adaptor, K24 capital
3OD =	slipfitter, 3-in outer diameter
P4AR =	optical system, P4 flat array acrylic rippled
V =	light distribution, type 5
40(SSL) =	wattage, 40 W, solid-state lighting
7030 =	LED series, 7030
120:277 =	voltage, 120-277 Vac
PR7 =	options, 7-pin twist-lock photo receptacle
#6 =	finial
RAL3000 =	textured red
WS =	wattage selector
ANSI =	ANSI wattage label
3K =	correlated color temperature, 3000 K

11. Sources

Aristo, Ed; King Luminaire Lighting Manufacturer Representative with Sea-Tac Lighting and Controls, LLC, and subject matter expert for 5723.11

Borek, Tom; SCL Streetlight Engineer and subject matter expert for 5723.11

Chao, Yaochiem; SCL Standards Engineer and originator of 5723.11

King Luminaire; Drawing No. SCL K56C – Type V BK-1, dated February 2, 2018

King Luminaire; Drawing no. SCL K56C – Type V RED-1; dated February 2, 2018

Li, Jesse; SCL Streetlight Engineer and subject matter expert for 5723.11

Philips Lumec, Drawing no. SPEC20220405_103023_74679_411.DOCX, revision April 05, 2022

Philips Lumec, Drawing no. SPEC20220405_103020_74679_412.DOCX, revision April 05, 2022

Philips Lumec, Drawing no SPEC20220405_103017_74679_413.DOCX, revision April 05, 2022