

## Brackets, Aluminum Luminaire Support for Wood Poles



### 1. Scope

This standard covers the requirements for aluminum bracket luminaire supports for wood poles.

This standard applies to the following Seattle City Light (SCL) stock numbers:

Stock No.	Rise (in)	Span (ft)
570501	12	3.25
570502	24	6
570503	24	8
013653	48	6
013654	48	8
570507	48	10

### 2. Application

Luminaire support brackets are used for mounting streetlight luminaires on wood poles.

Luminaire support brackets are installed using one 5/8-in thru bolt, and two 1/2-in lag screws.

Two-inch NPS round tube with .125-in wall thickness is equivalent to a 2-3/8-in outer diameter.

Standards Coordinator  
Laura Vanderpool

Standards Supervisor  
John Shipek

Unit Director  
Darnell Cola

### 3. Industry Standards

Aluminum bracket luminaire supports shall meet the applicable requirements of the following industry standards:

**ANSI C136.13-2004**; latest revision - American National Standards for Roadway and Area Lighting Equipment – Metal Brackets for Wood Poles

**AASHTO Fifth Edition 2009**; American Association of State Highway and Transportation Officials – Standard Specifications for Structural Supports for Highway Signs, Luminaires, and Traffic Signals

### 4. Requirements

#### 4.1 Luminaire Support Brackets

Luminaire support brackets for wood pole mounting shall meet the applicable requirements of ANSI C136.13, except as modified herein.

Brackets shall be made from seamless tubing or continuously welded, seamed tubing having a tapered elliptical-to-round configuration as shown. Spot-welded construction is not acceptable.

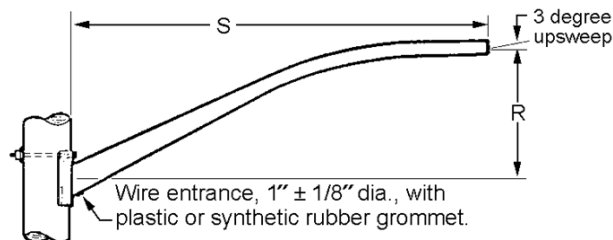
Brackets shall be made of high-strength aluminum alloy capable of withstanding the loading of Sections 12 and 13 and Table 1 of ANSI C136.13.

The luminaire attachment end shall terminate in a 2-in NPS round tube section measuring 7 inches (minimum) in length.

The pole plate shall have a radius of 4-1/2 to 5-3/4 in.

Brackets shall be resistant to the corrosive and erosive action of atmospheric conditions typically encountered in industrial and seaboard areas.

**Figure 4.1. Bracket Span and Rise**



**Table 4.1. Luminaire Support Brackets**

Stock No.	Bracket		Luminaire Max. Wt. (lb)
	Span (S) (ft)	Rise (R) (in)	
570501	3.25	12	50
570502	6.00	24	50
570503	8.00	24	50
013653	6.00	48	50
013654	8.00	48	50
570507	10.00	48	50

## 4.2 Mounting

Figure 4.2.1. General Mounting Detail

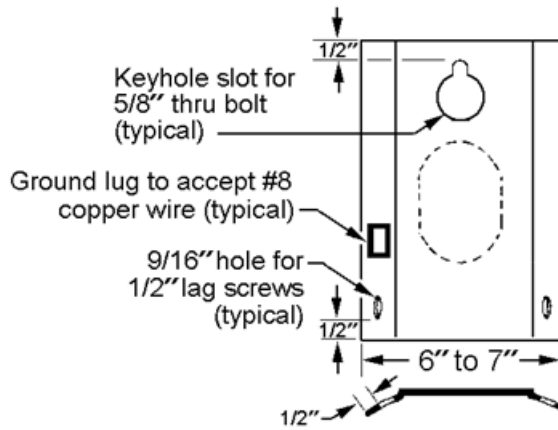


Figure 4.2.2. Mounting Detail, Stock No. 570501

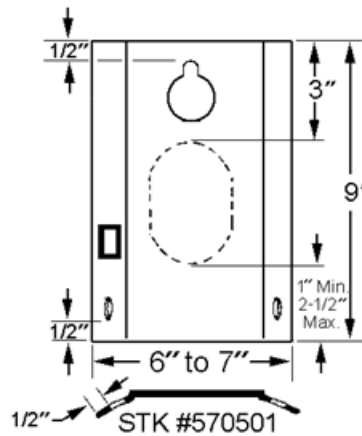
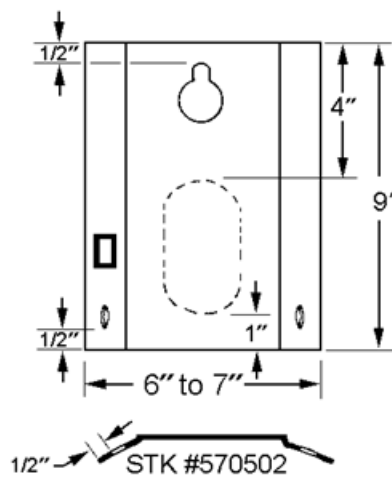
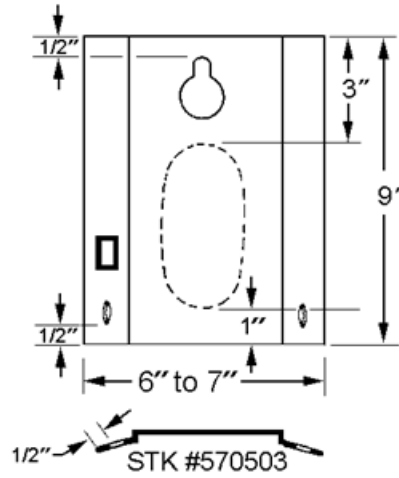


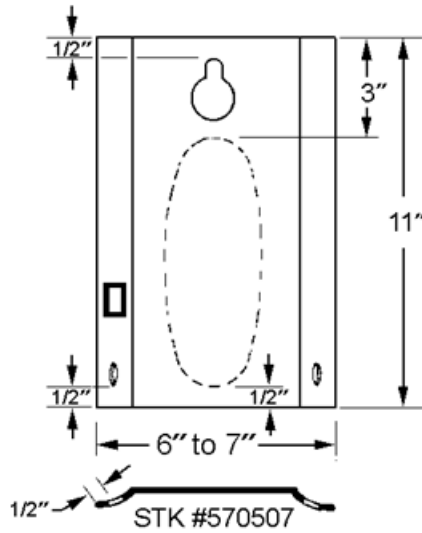
Figure 4.2.3. Mounting Detail, Stock No. 570502



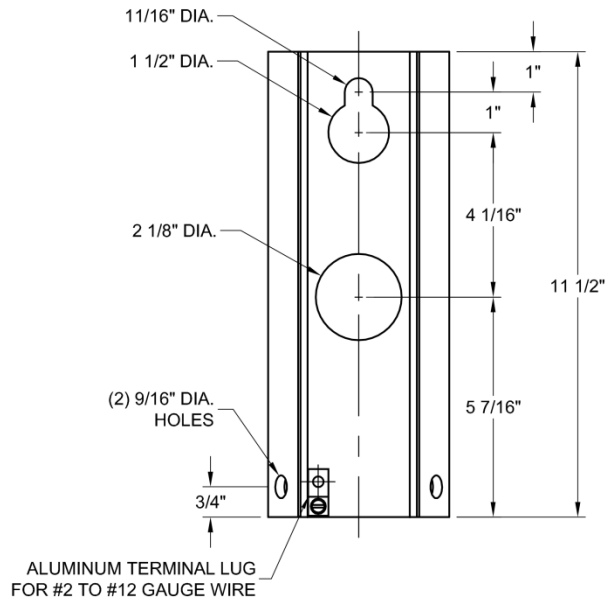
**Figure 4.2.4. Mounting Detail, Stock No. 570503**



**Figure 4.2.5. Mounting Detail, Stock No. 570507**



**Figure 4.2.6. Mounting Detail, Stock Nos. 013653 and 013654**



**5. Marking**

Support brackets shall be permanently marked with the manufacturer's name or trademark.

**6. Packaging**

Support brackets shall be packaged in accordance with the manufacturer's commercial practice to ensure safe delivery without damage.

**7. Issuance**

Stock unit: EA

**8. Approved Manufacturers**

Stock No.	Bracket		Approved Manufacturers	
	Span (S) (ft)	Rise (R) (in)	HAPCO	Valmont/ Lexington-Standard
570501	3.25	12	Order by description	1MA0412B475
570502	6.00	24	Order by description	1MA0624B475
570503	8.00	24	Order by description	1MA0630B86
013653	6.00	48	Order by description	1MA0648B475A
013654	8.00	48	Order by description	1MA0848B475A
570507	10.00	48	Order by description	1MB1048B475B

**9. Sources**

**Chao, Yaochiem**; SCL Standards Engineer and subject matter expert for 5705.10 (yaochiem.chao@seattle.gov)

**Hapco Pole Products Drawing No. 38929**; SCL Stock No. 013654, January 2, 2018