

## Deadend, Guy, Aluminum Automatic Feed-Through



### 1. Scope

This standard covers the requirements for aluminum automatic feed-through deadends.

This standard applies to the following Seattle City Light (SCL) stock numbers:

Stock No.	Wire Diameter (in)	Bail
565053	1/4	Standard
565048	5/16	Standard
565049	5/16	Extended
012084	3/8	Standard
565051	7/16	Standard
565052	7/16	Extended

### 2. Application

Automatic deadends are used to deadend 1/4-in through 7/16-in aluminum or galvanized steel guy wire.

For deadending 9/16-in guy wire, see SCL 5650.35.

### 3. Requirements

Deadends shall be made from the following:

- Aluminum yoke and shell (6061-T6 aluminum alloy)
- Solid bails (Type 304 stainless steel)

Each deadend shall be an integral unit after assembly.

Deadends shall be capable of holding a minimum of 90% of the rated strength of the guy wire.

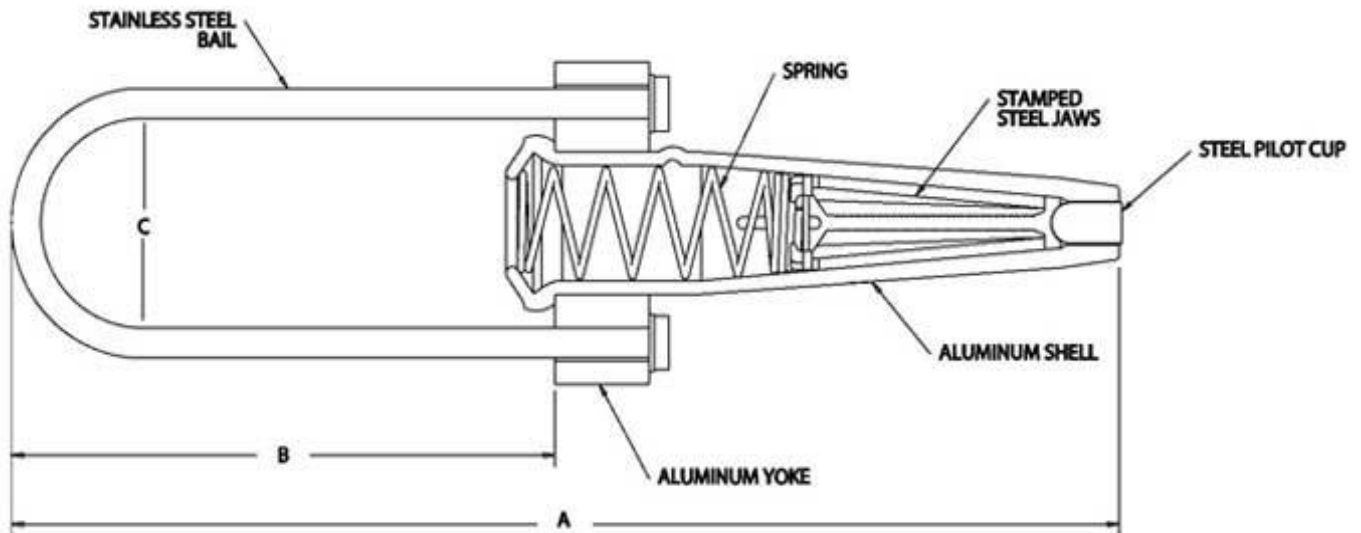
Deadends shall be equipped with a pilot cup to cap the strand and prevent individual strands from splaying during installation.

Deadends shall meet the requirements described in Table 3 and Figure 3.

**Table 3. Deadend Requirements**

Stock No.	Wire Diameter (in)	Dimensions, Minimum (in)		
		A	B	C
565053	1/4	9.2	3.9	1.4
565048	5/16	10.0	5.3	1.6
565049	5/16	15.3	5.3	1.6
012084	3/8	12.9	6.5	1.6
565051	7/16	14.7	6.7	2.1
565052	7/16	21	6.7	2

**Figure 3. Deadend Requirements**



#### 4. Packaging

Deadends shall be shipped assembled.

The standard package quantity shall not exceed four per box.

Each standard package shall be legibly marked with the following information:

- Manufacturer's identification
- Product description
- SCL stock number
- Quantity contained

Each shipping container shall be legibly marked with the following information:

- Manufacturer's identification
- Country of origin
- Product description
- SCL purchase order number
- SCL stock number

## 5. Issuance

Stock unit: EA

---

## 6. Approved Manufacturers

<b>Stock No.</b>	<b>Size (in)</b>	<b>Bail</b>	<b>Hubbell Power Systems Catalog No.</b>	<b>MacLean Power Systems Catalog No.</b>
565053	1/4	Standard	GDE5100	5100
565048	5/16	Standard	GDE5201	5201
565049	5/16	Extended	GDE5201-L	5201-L
012084	3/8	Standard	GDE5202	5202
565051	7/16	Standard	GDE5203	5203
565052	7/16	Extended	GDE5203L	5203-L

---

## 7. References

**SCL Material Standard 5650.3**; "Deadend, Guy, Aluminum Automatic Feed-Through" (canceled)

**SCL Material Standard 5650.35**; "Deadend, Guy, Aluminum, Automatic Feed-Through, Adjustable"

---

## 8. Sources

**Tilley, Kathy**; SCL Electrical Engineering Support Specialist, originator, and subject matter expert of 5650.30 (kathy.tilley@seattle.gov)