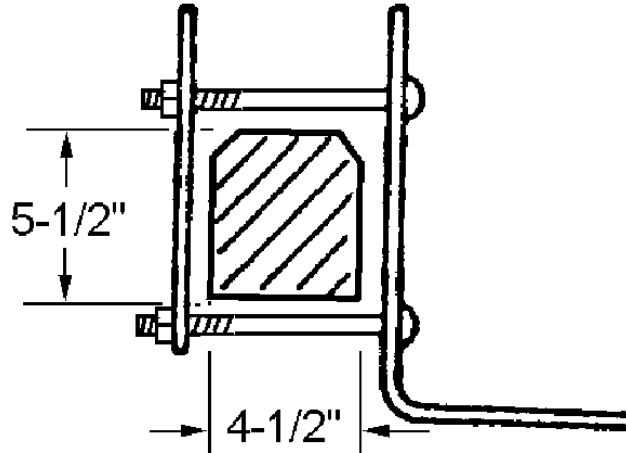


**MATERIAL STANDARD**

**CUTOUT MOUNTING BRACKET  
 for CROSSARMS**



Stock No.  
 682097

**CROSSARM CUTOUT MOUNTING BRACKETS** shall be of the configuration shown, and shall accommodate a feeder crossarm of 5 1/2" height and 4 1/2" width.

**Packaging.** Each bracket shall be packaged individually, either by being assembled with all hardware as a unit, or by supplying all components required for one bracket in a bag or box.

**Reference Specifications:** NEMA SG 2, ANSI C37.42, C.L. Material Standard 6837.1 (latest revisions)

**Stock Unit:** Each

Stock No.	Approved Manufacturers			
	ABB	Cooper	Joslyn	S & C
682097	366C926G05	DM36B1	J26634	KA-70185-SX bkt. w/6" conn. bolts & assoc. hardware

ORIGINATOR	STANDARDS COORDINATOR	STANDARDS SUPERVISOR	UNIT DIRECTOR
<i>Jim S. Horn</i>	<i>Charles L. Shaffer</i>	<i>John C. Skinner</i>	<i>Betty Robin</i>