

Key Lock Boxes



1. Scope

This standard covers the requirements for key lock boxes.

This standard applies to the following Seattle City Light (SCL) stock numbers:

Stock No.	Description
400195	Key lock box, deep

2. Application

Key lock boxes are used to store access keys to a secured building or premise. Stock No. 400195 has a 10-key capacity and can also accommodate key cards or key fobs.

3. Industry Standards

Key lock boxes shall meet the applicable requirements of the National Fire Protection Association (NFPA) and the following industry standards:

UL 437; Standard for Key Locks

UL 1037; Standard for Antitheft Alarms and Devices

UL 1332; Standard for Organic Coatings for Steel Enclosures for Outdoor Use Electrical Equipment

UL 1610; Standard for Central-Station Burglar-Alarm Units

Standard Coordinator
Ponet Neuansourinh

Standards Engineering Supervisor
Brett Hanson

Division Director
Bob Risch

4. Requirements

Key lock box requirements include:

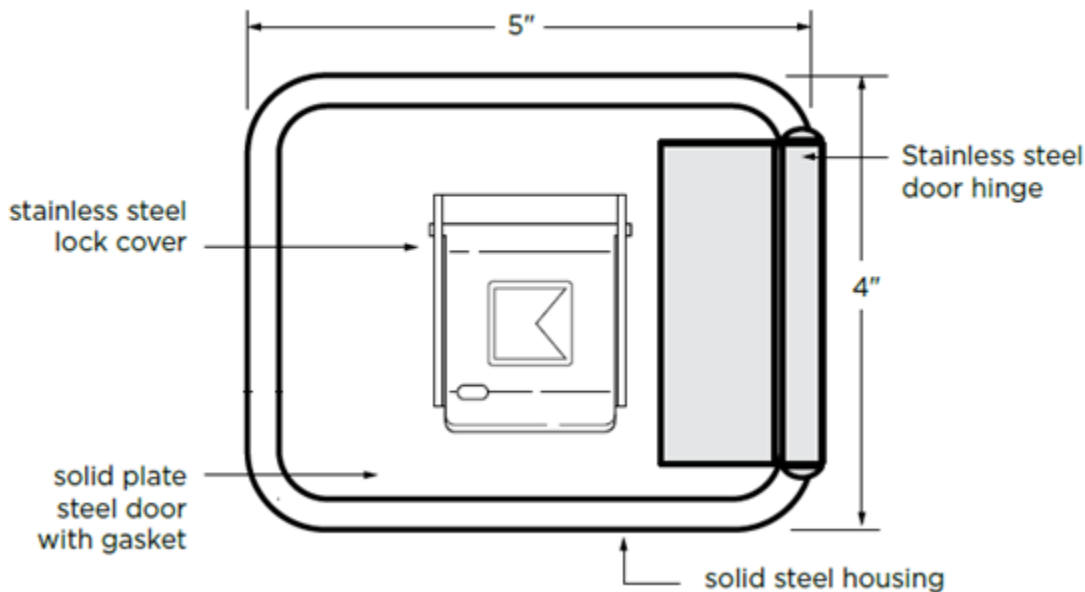
- Surface mount type
- Stainless steel door hinge
- 1/8-inch stainless steel lock cover with tamper seal mounting capability
- 1/4-inch solid steel housing
- Solid steel door with interior gasket seal
- Dimensions per Table 4

Locks shall be UL Listed, with double-action rotating tumblers and hardened steel pins accessed by a bias-cut key.

Table 4. Key Lock Box Dimensions

Stock No.	Exterior Dimensions			Door Thickness (in)
	Height (in)	Width (in)	Depth (in)	
400195	4	5	3-7/8	1/2

Figure 4. Key Lock Box, Front View Details



5. Marking

Each product shall be marked with:

- Manufacturer identification
- Manufacturer model number
- UL Listed label

6. Packaging

Product shall be shipped completely assembled.

Product shall be packaged to prevent damage during shipping, handling, and storage.

Individual packages shall be legibly marked with:

- Manufacturer name
- Manufacturer catalog number
- Product description
- Seattle City Light stock number

Shipping containers shall be legibly marked with:

- Seattle City Light purchase order number
-

7. Issuance

Stock Unit: EA

8. Approved Manufacturers

<u>Stock No.</u>	<u>Description</u>	<u>Manufacturer</u>	<u>Part No.</u>
400195	Key lock box, deep	Knox Company	3262

9. Sources

Neuansourinh, Ponet; SCL Standards Engineer and originator of 4960.17
(ponet.neuansourinh@seattle.gov)

SCL Stock Catalog page 40-2; September 15, 2017

www.knoxbox.com