

## Requirements for Streetlight Pole Mounting and Grouting



### 1. Scope

This standard specifies the requirements for streetlight pole mounting and grouting. This standard includes hinged-base poles.

Non-standard Seattle City Light (SCL) poles are outside the scope of this document.

### 2. Application

This standard provides direction to SCL crews, contractors, and customers for streetlight pole mounting and grouting.

Leveling nuts and washers are supplied with each pole.

### 3. Requirements

Pole mounting and grouting shall conform to Figure 3.

Leveling nuts shall be placed on anchor bolts to allow a 2-inch minimum and 4-inch maximum space under the base of the pole base plate.

Pole shall be placed on the bolts and the leveling and locking nuts adjusted to plumb the pole.

The back of the pole is to be plumb after final adjustment.

Periphery of bolts shall be wrapped with black electrical tape to prevent grout from being placed under the pole.

Standards Coordinator  
Laura Vanderpool

Standards Supervisor  
John Shipek

Unit Director  
Darnell Cola

Grout shall be premixed, non-shrink, and non-metallic.

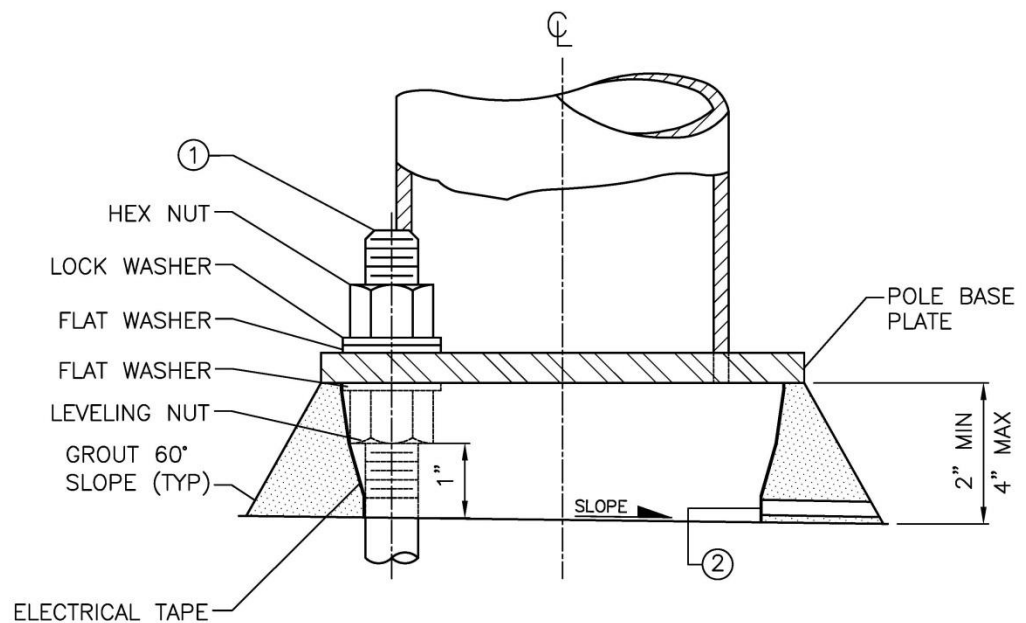
Outside face of grout shall have a 60-degree slope.

Finished anchor bolt shall have a 3-thread projection above the hex nut. See Figure 3, Item 1.

A 1/2-inch drain tube shall be cut into the grout on the low side as shown in Figure 3, Item 2. Use one of the following methods:

- a. 1/2-inch PVC tube
- b. Install 1/2-inch dowel in grout to form weep hole, and remove the dowel before grout sets.

**Figure 3. Pole Mounting and Grouting Detail**



#### 4. References

**SCL Construction Standard 1716.12**; "Requirements for Installation of Precast Streetlight Concrete Foundations"

**SCL Material Standard 5778.20**; "Footings, Precast Concrete for Residential Streetlight Poles"

**SCL Material Standard 5778.40**; "Footings, Precast Concrete for Arterial Streetlight Poles"

#### 5. Sources

**Borek, Tom**; SCL Streetlight Engineer and subject matter expert of SCL 1716.34; (tom.borek@seattle.gov)

**Chao, Yaochiem**; SCL Standards Engineer, subject matter expert and originator of SCL 1716.34; (yaochiem.chao@seattle.gov)

**Li, Jesse**; SCL Streetlight Engineer and subject matter expert of SCL 1716.34; (jesse.li@seattle.gov)