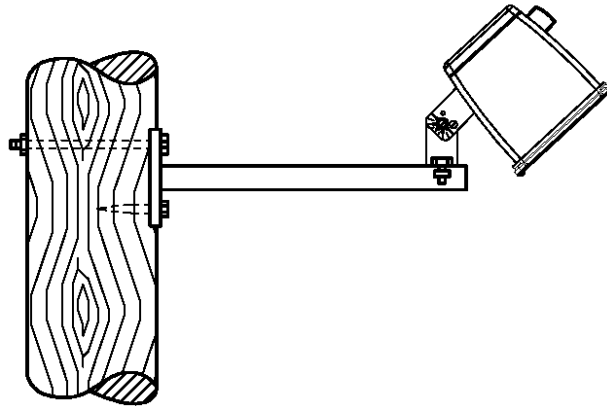

Floodlight Installation, Single and Cluster-Mount on Wood Poles



1. Scope

This standard covers requirements for installing single and cluster-mount LED floodlights on wood poles.

Wall-mount installations are outside the scope of this standard.

Wiring is outside the scope of this standard.

2. Application

This standard provides direction to customers, contractors, Seattle City Light (SCL) crews, and SCL engineering regarding proper installation of floodlights on wood poles.

Installation on metal poles is not allowed.

3. Requirements

3.1 General

All brackets shall be effectively grounded.

The installation date of the photoelectric control shall be marked on its base using a permanent ink marking pen.

Photoelectric control shall be north-facing.

Floodlights have an optimal mounting height of 28 ft.

The minimum clearance is 4 inches between any streetlight equipment and communication equipment.

The optimal floodlight tilt angle is determined by customer location.

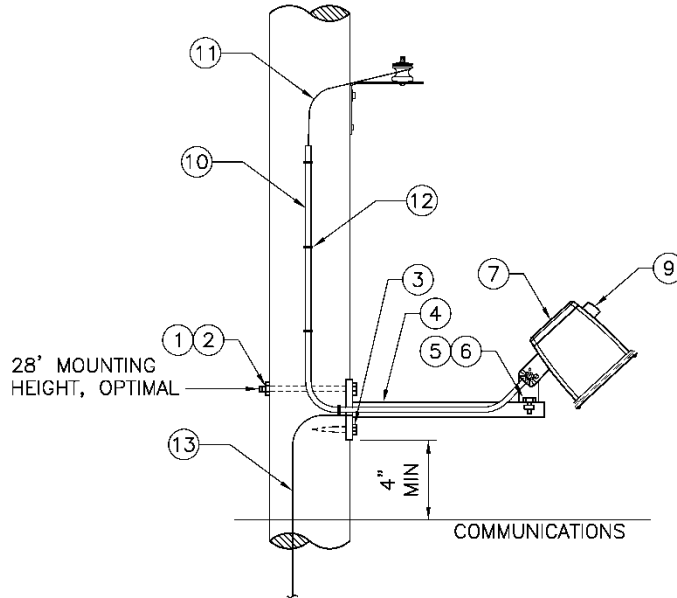
Service shall be fed through 1/2-in conduit.

Requirements for grounding, conduit, and clearances are shown in Figure 3.2.

3.2 Single Floodlights

Installation requirements for a single floodlight are shown in Figure 3.2.

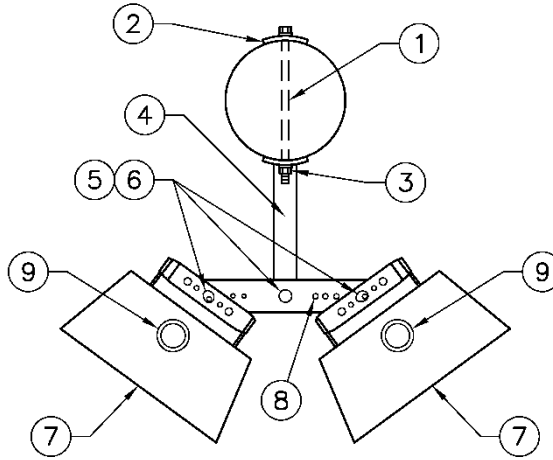
Figure 3.2. Single Floodlight Installation



3.3 Cluster-Mount Floodlights

Installation requirements for cluster-mount floodlights are shown in Figure 3.3.

Figure 3.3. Cluster-Mount Floodlight Installation



4. Material Lists

Table 4a. Materials for Single and Cluster-Mount Floodlights

Fig	Compatible Unit	ID	Quantity	
3.2	Single Floodlight	FL-S		
3.3	Cluster-Mount Floodlight	FL-CM		
#	Material Description	ID		
1	Bolt, 5/8" x 16"	780847	1	1
2	Washer, square, 2-1/4" x 2-1/4"	585135	1	1
3	Screw, lag, 1/2" x 4"	785261	1	1
4	Bracket, floodlight	568044	1	1
5	Screw, cap, 5/8" x 1-1/2"	784887	3	1
6	Washer, 5/8", split lock	788126	5	1
7	Floodlight, LED	014454	2	1
8	Plate, double arming	582665	1	-
9	Photocontrol, 20-year design life	013129	2	1
10	Conduit, flexible, liquidtight, non-metallic	013544	6	6
11	Wire, 600 V, PVC jacket, 1-3/C, #12 AWG	014172	12	12
12	Staple, galvanized, 2" x 5/8"	013517	5	5
13	Wire, THWN, 600 V, copper, #8 AWG	612277	40	40
14	Clamp, parallel groove, bolted	652020	3	3
15	Lug, setscrew	012564	1	1
16	Screw, self-drilling, hex washer head, 3/8" x 3/4"	012565	1	1

Table 4b. #6 Triplex Cable

Fig	Compatible Unit	ID	Qty
n/a	#6 Triplex	CNDOSEC1-#6TP	
#	Material Description	ID	
1	Cable, ACSR, overhead, triplex, #6 AWG	013271	1

5. Sources

Chao, Yaochiem; SCL Standards Engineer, originator, and subject matter expert for 1713.12

Dean, David; SCL Streetlight Engineer and subject matter expert for 1713.12

SCL Construction Standard D12-20 (canceled); "Floodlight Installation Details, Direct Pole Mount"

SCL Construction Standard D12-21 (canceled); "Floodlight, Cluster Mount"

Winchester, Hillary; SCL Joint Use Engineer and subject matter expert for 1713.12