

## Slings, Synthetic Webbing, Nylon, Bridle



### 1. Scope

This standard covers the requirement for 4-leg bridle slings.

This standard applies to the Seattle City Light (SCL) stock number 015046.

### 2. Application

The 4-leg nylon slings are used to hoist gravel bags.

Before starting a job, sling users shall be trained in the selection, inspection, cautions to personnel, effects of the environment, and rigging practices cited in ASME B30.9.

### 3. Industry Standards

Slings shall meet the applicable requirements of the latest revision of the following industry standard:

**ASME B30.9;** "Slings, Safety Standard for Cableways, Cranes, Derricks, Hoists, Hooks, Jacks, and Slings"

Standard Coordinator  
Muneer Shetab

Standards Engineering Supervisor  
Brett Hanson

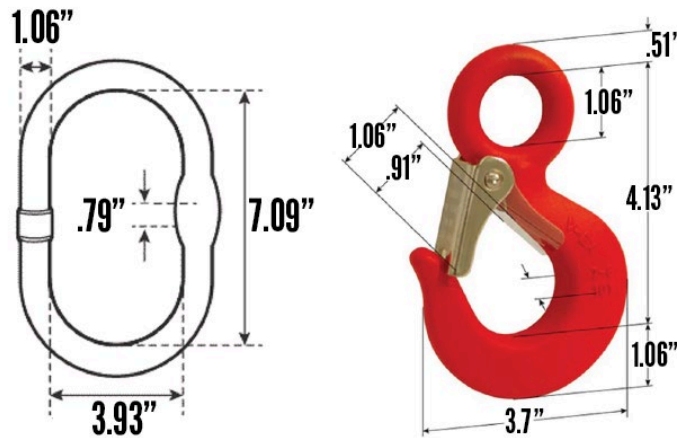
Division Director  
Bob Risch

## 4. Requirements

### 4.1 General

<b>Webbing material</b>	Nylon
<b>Webbing material color</b>	Yellow
<b>Webbing design factor</b>	5 to 1
<b>Abrasion resistant webbing treatment</b>	Required
<b>Wear indicator system</b>	Required
<b>Width (in)</b>	1
<b>Length (ft)</b>	3
<b>Number of plies</b>	2
<b>Number of legs and hooks</b>	4
<b>Rated capacity, minimum (lb)</b>	
30 degrees	6,200
45 degrees	8,500
60 degrees	10,200
<b>Top Link</b>	
Type	Oblong master link
Material	Grade 100 alloy steel
<b>Bottom Link</b>	
Type	Safety hook with latch
Material	Grade 80 alloy steel

Figure 4.1. Oblong and Hook Typical Dimensions



## 5. Marking

Each sling shall be marked according to the requirements of ANSI/ASME B30.9, Section 9–5.7. This information shall include, but not be limited to:

- Name or trademark of manufacturer
- Manufacturer's code or stock number
- Rated load for at least one hitch type and the angle upon which it is based
- Type of synthetic web material
- Number of legs, if more than one

## 6. Testing

Test data that establishes compliance with the requirements of ASME B30.9 shall be provided upon request.

---

## 7. Packaging

Slings shall be individually packaged to prevent damage during shipping, handling, and storage.

Each shipping container shall be legibly marked with the following information:

- Seattle City Light Purchase Order Number
  - Seattle City Light Stock Number
- 

## 8. Issuance

Stock unit: EA

---

## 9. Approved Manufacturers

U.S. Cargo Control, Catalog No. QOS-EE2-901-03

---

## 10. Sources

**Shetab, Muneer**; SCL Standards Engineer, subject matter expert, and originator of 7654.90

[www.uscargocontrol.com](http://www.uscargocontrol.com)