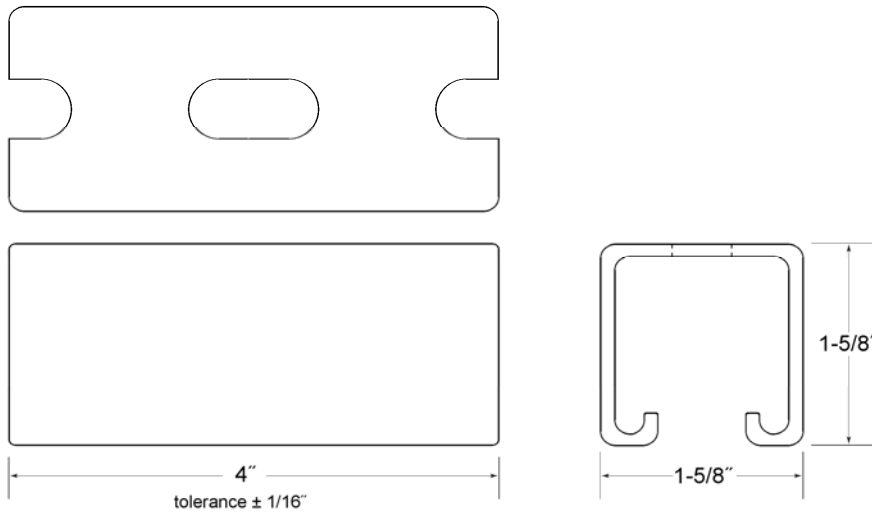


ADAPTER BRACKET, FOUR-INCH



1. **Material:** Made from steel, strut-type channel, 1-5/8-inch by 1-5/8-inch, with holes or slots on 2-inch centers.

2. **Construction**



Cut channel on every-other slot (or hole) as shown. Grind ends and points smooth to eliminate hazard from sharp edges. Hot dip galvanize after cutting and grinding.

3. **Stock Unit:** EA

4. **Stock No.:** 012465

5. **Approved Manufacturers:**

Wesanco – La Mirada, California

Wilcor – Seattle, Washington

STANDARDS COORDINATOR	STANDARDS SUPERVISOR	UNIT DIRECTOR
<i>Charles L. Shaffer</i>	<i>John Schinner</i>	<i>Harold Gray</i>