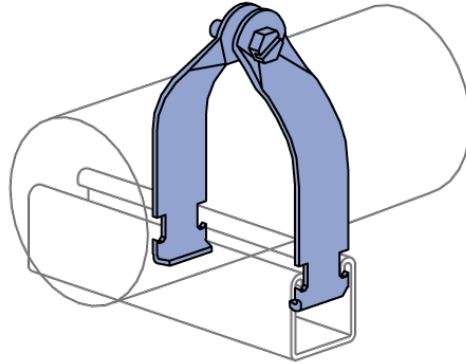


## Clamps, Strut, Pipe/Conduit, Light-Duty



### 1. Scope

This standard covers the requirements for light-duty, strut pipe/conduit clamps.  
This standard applies to the Seattle City Light (SCL) stock numbers listed in Table 3.

### 2. Application

Strut clamps are used to secure pipe or conduit to strut.  
Light-duty strut clamps are for use with electrical metallic tubing (EMT).  
Strut clamps are intended for use with strut framing systems components specified in SCL 7216.75.

### 3. Requirements

Strut clamps shall be manufactured from steel and electrogalvanized.  
Strut clamps shall be a traditional two-piece design with non-captive hardware.  
Strut clamps shall meet the requirements shown in Table 3.

**Table 3. Light Duty Strut Clamp Requirements**

Stock No.	Conduit Size (in)	Maximum Allowable Load (lb)
689754	1/2	400
689757	3/4	400
689759	1	400

Standards Coordinator  
Curtis Lu

Standards Supervisor  
John Shipek

Unit Director  
Andrew Strong

#### 4. Packaging

Strut clamps shall be individually bagged. Strut clamps shall be packaged to prevent damage during shipping, handling, and storage.

Individual packages shall be legibly marked with:

- Manufacturer name
- Manufacturer part number
- Product description
- Seattle City Light stock number

Shipping containers shall be legibly marked with:

- Seattle City Light purchase order number
- 

#### 5. Issuance

Stock Unit: EA

---

#### 6. Approved Manufacturers

<b>Stock No.</b>	<b>Manufacturer</b>	<b>Catalog No.</b>
689754	Unistrut	P1211EG
	Wesanco	W-6026
689757	Unistrut	P1212EG
	Wesanco	W-6028
689759	Unistrut	P1213EG
	Wesanco	W-6030

---

#### 7. References

**SCL Material Standard 7216.75; "Strut Framing Systems"**

---

#### 8. Sources

**Lu, Curtis**; SCL Standards Engineer and originator of 7206.45

**SCL Stock Catalog page 70-44**; October 30, 2013

**[www.unistrut.us](http://www.unistrut.us)**

**[www.zsi-foster.com](http://www.zsi-foster.com)**