

## Adapter, Vertical Clamp, for Station Post Insulators



### 1. Scope

This standard covers the requirements for vertical clamp adapters for station post insulators.

This standard applies to Seattle City Light (SCL) Stock No. 012381.

### 2. Application

Vertical clamp adapters are used to convert station post insulators with a 5-inch bolt circle to a vertical line post insulator with a trunnion end fitting.

### 3. Industry Standards

Vertical clamp adapters shall meet the applicable requirements of the latest revision of the following industry standards:

**ASTM A123/123M**; "Standard Specification for Zinc (Hot-Dip Galvanized) Coatings on Iron and Steel Products"

**ASTM A536**; "Standard Specification for Ductile Iron Castings"

### 4. Requirements

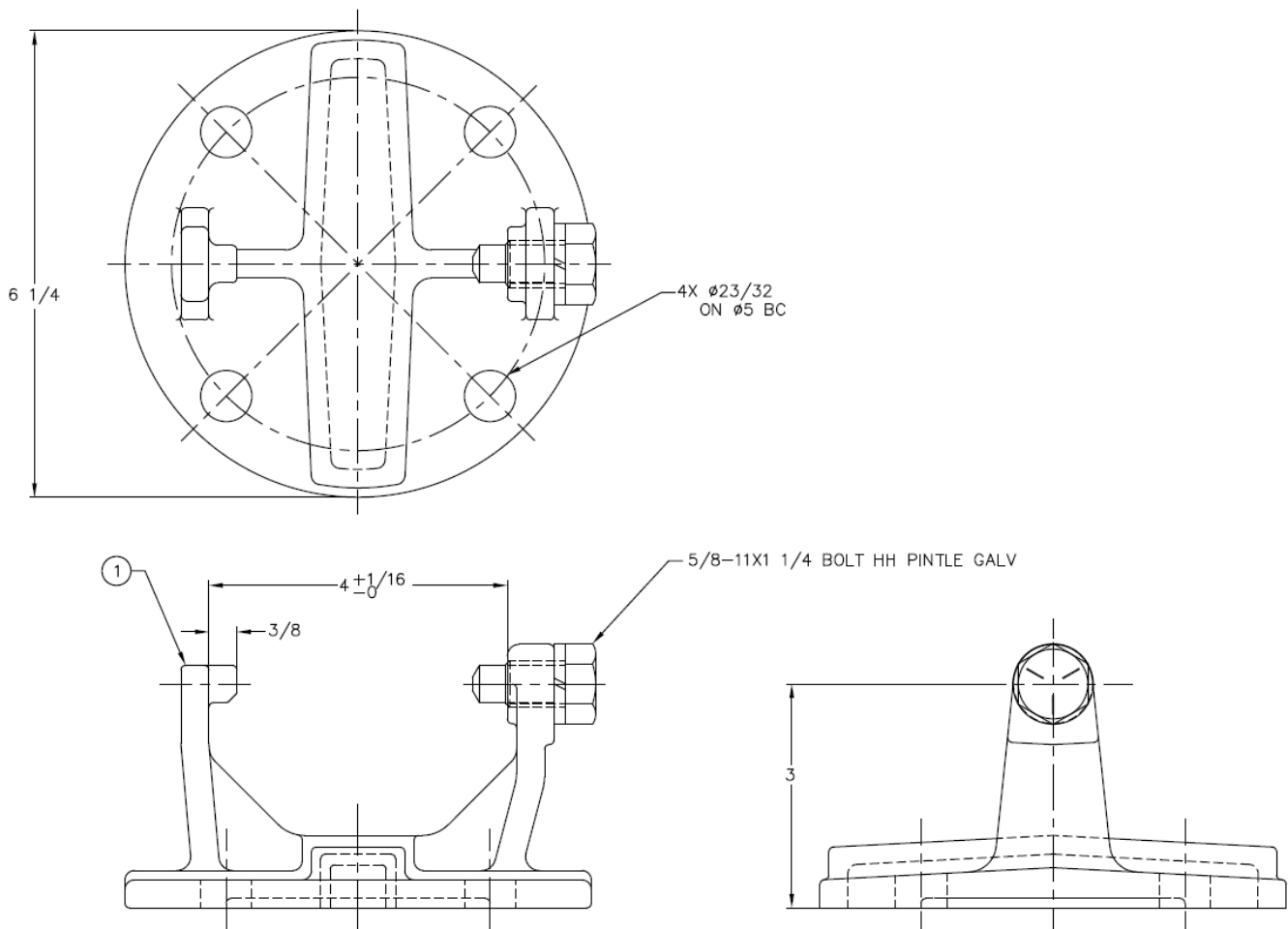
Vertical clamp adapters shall be designed to be used with post insulators with a 5-inch bolt circle, as defined by ANSI C29.9-1983 (R1996), Table 2.

Vertical clamp adapters shall be provided with mounting bolts that meet the requirements as shown in Table 4 and Figure 4.

**Table 4. Vertical Clamp Adapter Requirements**

<b>Material</b>	60-45-15 ductile iron, hot-dip galvanized
<b>Bolt hole</b>	23/32" on 5" bolt circle
<b>Trunnion bolt</b>	5/8"-11 x 1"; 1/4" head height (HH)
<b>Mounting bolt package</b>	4 each, 5/8"-11 x 1"; 1/4" HH galvanized bolt 4 each, 5/8" galvanized lock washer

**Figure 4. Vertical Clamp Adapter Dimensions**



**5. Packaging**

Each standard package shall be legibly marked with the following information:

- Manufacturer identification
- Product description
- SCL stock number
- Quantity contained

Each shipping container shall be legibly marked with the following information:

- Manufacturer identification
- Country of origin
- Product description
- SCL purchase order number

**6. Issuance**

Stock Unit: EA

---

**7. Approved Manufacturers**

<b>Company</b>	<b>Catalog No.</b>
Lindsey Manufacturing Company	2121W/BOLT

---

**8. Sources**

**SCL Material Standard 5632.85**; "Brackets, Mounting, For Vertical Line Post Insulators"

**SCL Material Standard 6901.95**; "Insulator, Station Post, Polymer for 115 kV Nominal Systems"

**SCL Stock Catalog Page 69-66**; December 18, 2008

**Shetab, Muneer**; SCL Standards Engineer, originator, and subject matter expert for 6951.65 (muneer.shetab@seattle.gov)