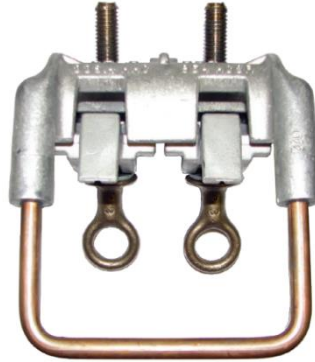


Clamps, Stirrup, Hot Line, Aluminum



1. Scope

This standard covers the requirements for aluminum hot line stirrup clamps.
This standard applies to Seattle City Light (SCL) Stock No. 580678.

2. Application

Clamps are installed on 397–954 kcmil Aluminum Conductor Steel Reinforced (ACSR) or All Aluminum Conductor (AAC) primary conductors to protect conductors from wear by providing a connection point for hot line tap clamps.

Clamps are designed to be installed on energized conductors.

3. Industry Standards

Clamps shall meet the applicable requirements of the latest revision of the following industry standard:

ANSI C119.4, American National Standard for Electric Connectors – Connectors for Use Between Aluminum-to-Aluminum and Aluminum-to-Copper Conductors Designed for Normal Operations at or Below 93° C and Copper-to-Copper Conductors Designed for Normal Operation at or Below 100°C

4. Requirements

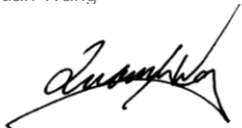
Clamps shall consist of a clamp body (jaws), eye stem, and stirrup.

Jaws shall be made of high-strength aluminum alloy

Jaws shall be factory-filled with a measured amount of oxide-inhibiting compound

Eye stems shall be made of tin-plated bronze alloy or stainless steel.

Standards Coordinator
Quan Wang



Standards Supervisor
John Shipek



Unit Director
Andrew Strong



Eye stems shall be at a 30° angle from the stirrup, as shown in Figure 4.

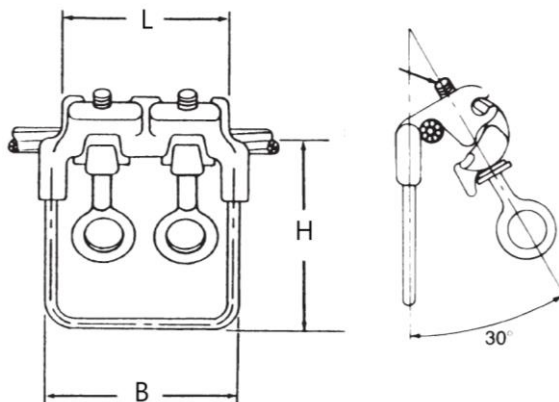
Stirrups shall be made of bare copper

Dimensions shall be as shown in Table 4 and Figure 4.

Table 4. Hot Line Stirrup Clamp Dimensions

Stock No.	Conductor Range, AAC, ACSR (kcmil)	Copper Loop Size (AWG)	Bolts		Clamp Dimensions (in)		
			No.	Size (in)	L	B	H
580678	397—954	2/0	2	1/2	4-1/4	4-1/2	4-3/16

Figure 4. Hot Line Stirrup Clamp



5. Markings

Each clamp shall be clearly and indelibly marked with the following:

- Manufacturer name or symbol
- Conductor range
- Catalog number

6. Packaging

Clamps shall be packaged to prevent damage during shipping, handling, and storage.

Clamps shall be packaged in a manner that contains the oxide inhibiting compound.

Individual packages shall be legibly marked with:

- Manufacturer name
- Manufacturer part number
- Product description
- Seattle City Light stock number

Shipping containers shall be legibly marked with:

- Seattle City Light purchase order number

7. Issuance

EA

8. Approved Manufacturers

Stock No.	Conductor Range, (kcmil)	Hubbell Power Systems (Anderson)
580678	397—954	AHLS-954022-E-TB-XB

9. Sources

www.hubbell.com

Stock Catalog Page 65-8 (May 1, 2018)

Wang, Quan; SCL Standards Engineering, subject matter expert, and originator of 6501.54 (quan.wang@seattle.gov)