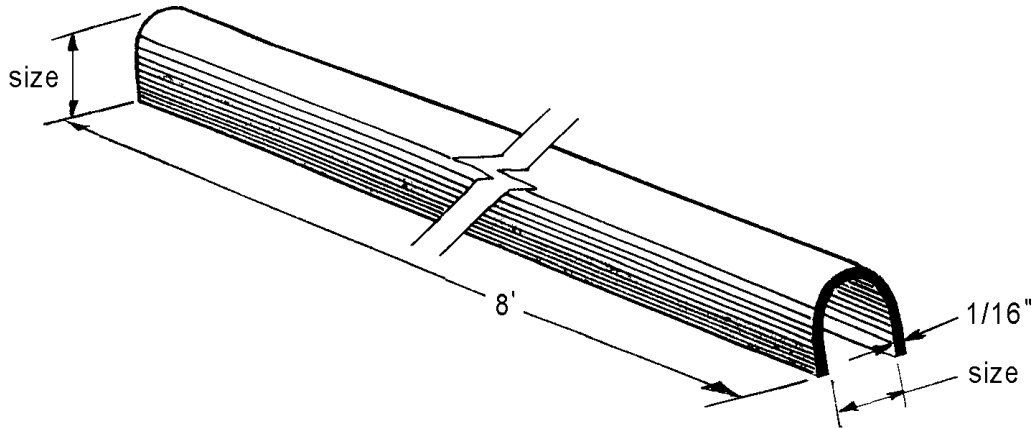


MOLDING, PLASTIC GROUND WIRE



Plastic ground wire molding shall be made of a polyvinyl chloride compound which will not support combustion, have excellent weathering characteristics, remain stable and retain its uniformity in varying temperature ranges from 0° F to 110° F.

Plastic Moulding shall have high inherent and dielectric strength, resistance to abrasion, and a low moisture absorption rate. Wall thickness shall be a minimum of 1/16".

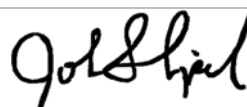
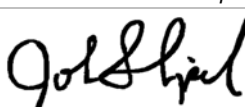
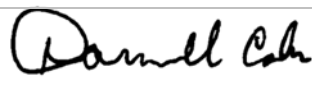
Plastic molding shall be furnished in 8' lengths and shipped in containers legibly marked with the type and quantity of the items, the City Purchase Order number, the name and address of the manufacturer, and the address of the City of Seattle receiving warehouse.

Color: Gray or Black

Stock Unit: EA

Stock Number	Size	Length	Approved Manufacturers				
			Osmose	Pexco	Preformed Line Products	Virginia Plastics	EMC
582060	1/2"	8'	OZ-26-50 PVC	7001301100	GWM-7100	VP-1/2GWM-B	PEGM 1/2GR
012980	3/4"	8'	70-050-003-108	-	GWM-7101	VP-3/4GWM-B	

Note: For staples for plastic 1/2" molding, see Stock Number 583200.

<i>standards coordinator</i>	<i>standards supervisor</i>	<i>unit director</i>
 John Shipek	 John Shipek	 Darnell Cola