

Lighting Contactor Controllers



1. Scope

This standard covers the requirements for lighting contactor controllers and mounting brackets.

This standard applies to the following Seattle City Light stock numbers:

Stock No.	Description
012776	Lighting contactor controller, 100 A, 3-pole
015055	Lighting contactor controller, 60 A, 2-pole
015056	Lighting contactor controller, 30 A, 2-pole
015057	Pole-mounting kit with bracket

2. Application

Contactor relay switch controllers allow control of multiple streetlights with a single street light photocontrol. The number of streetlights capable of being controlled is limited by the load rating of the contactor. The photocontrol unit, Stock No. 013129, is wired remotely from the contactor.

Standard Coordinator
Laura Vanderpool

Standards Engineering Supervisor
Brett Hanson

Division Director
Bob Risch

3. Industry Standards

Contact controller enclosures shall meet the applicable requirements of the latest revision of following industry standards:

NEMA Standards Publication 250; Enclosures for Electrical Equipment (1000 volts maximum)

ANSI/ IEC 60529; Degrees of Protection Provided by Enclosures (IP Code)

4. Requirements

4.1 Lighting Contactor

The lighting contactor controller shall include:

- A circuit breaker located on the supply (line) side of the contactor controller
- A normally open contact type
- A multi-voltage selector switch that allows for 120/208/240 or 277/480 configurations
- A MOV (metal oxide varistor) surge protection device
- Hand-off-auto switch

4.2 Enclosure

The enclosure shall:

- Be fabricated from type 304 or 316 stainless steel and meet the requirements of NEMA 250 for 4x.
- Include mounting tabs on both top and bottom with two 5/16-inch holes on each.
- Include ground lug.

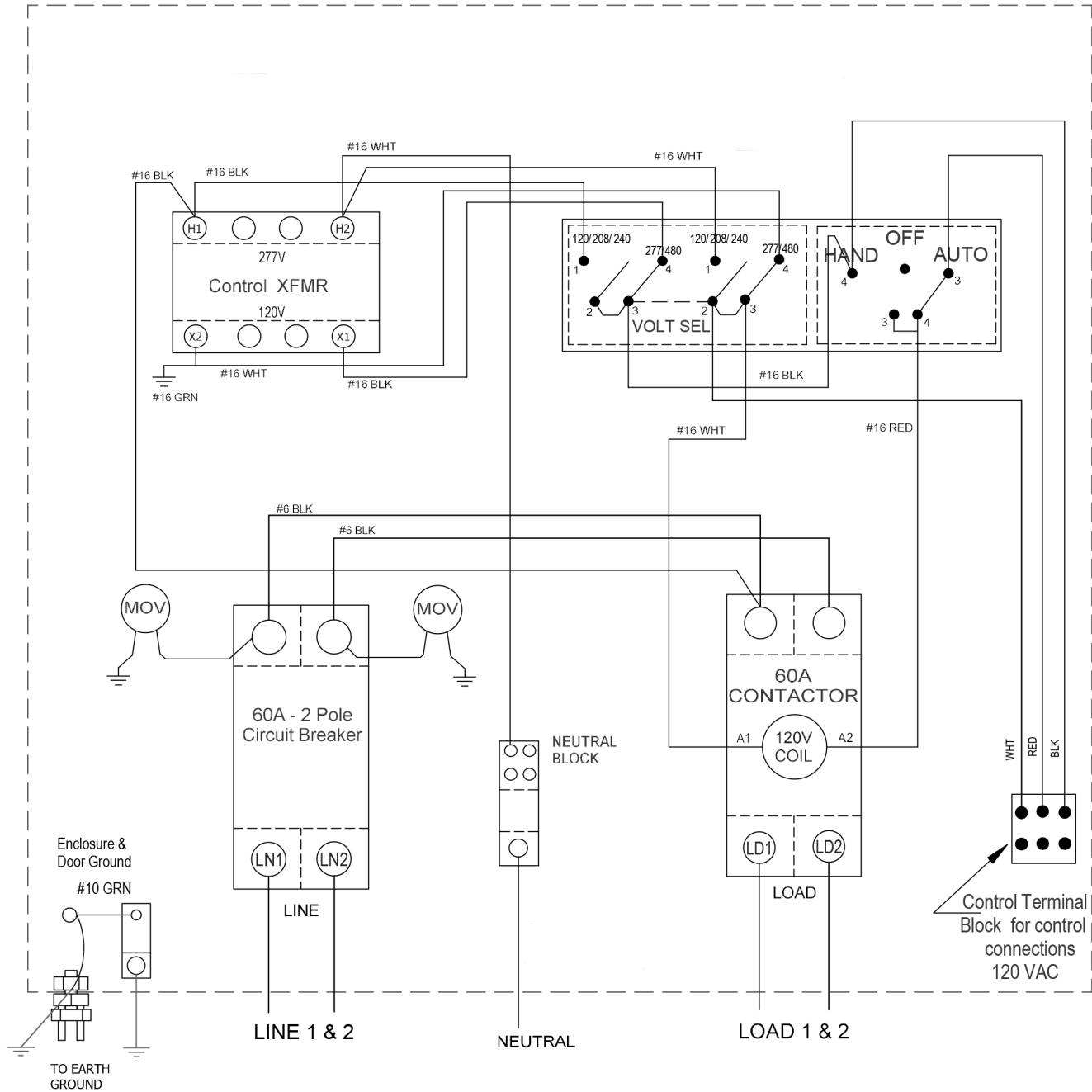
The 100 A and 60 A enclosures shall have dimensions of 16 in (H) x 14 in (W) x 6 in (D).

The 30 A enclosure shall have dimensions of 14 in (H) x 12 in (W) x 6 in (D).

4.3 Mounting

In cases where the contactor controller will be mounted on a wood pole, a pole-mounting kit with bracket (Stock No. 015057) is required. The kit is ordered separately.

Figure 4. Schematic of 60A, 2-Pole Contactor Controller



5. Design Changes

The manufacturer shall inform Seattle City Light in writing of all design changes that could affect the product's understood or published capabilities.

6. Packaging

Contactor controllers shall be individually packaged to prevent damage during shipping, inside storage, and casual handling prior to installation.

Each individual package shall be marked with the following information:

- Manufacturer identification
- Product description
- Seattle City Light purchase order number
- Seattle City Light stock number

Each controller shall be provided with installation instructions and an internal schematic diagram.

7. Shipping

Protectors may be delivered on enclosed, covered, or flatbed trucks. If protectors are delivered on flatbed trucks, they shall be side loaded. Because Washington State law requires a 10-inch minimum sideboard when driving a forklift or pallet jack onto the bed of a truck or trailer, most flatbed trucks or trailers must be side-loaded to ease off-loading.

8. Issuance

Stock Unit: EA

9. Approved Manufacturers

9.1 Stock No. 012776 (100 A, 3-pole)

Manufacturer:	Ripley Lighting Controls
Catalog Number:	CC-100-3-NO-E2-M-S-W-G-H-M1
<i>where:</i>	
CC =	electromagnetic contactor
100 =	load amperes per pole
3 =	number of poles
NO =	normally open
E2 =	NEMA stainless steel 4X enclosure
M =	without photocontrol receptacle (wired for remote)
S =	supply side breaker
W =	MOV surge protection
G =	ground lug
H =	hand-off auto switch
M1 =	multi-voltage selector switch, 120/208/240 or 277/480

9.2 Stock No. 015055 (60 A, 2-pole)

Manufacturer:	Ripley Lighting Controls
Catalog Number:	CC-60-2-NO-E2-M-S-W-G-H-M1
<i>where:</i>	
CC =	electromagnetic contactor
60 =	load amperes per pole
2 =	2-pole
NO =	normally open
E2 =	NEMA stainless steel 4X enclosure
M =	without photocontrol receptacle (wired for remote)
S =	supply side breaker
W =	MOV surge protection
G =	ground lug
H =	hand-off auto switch
M1 =	multi-voltage selector switch, 120/208/240 or 277/480

9.3 Stock No. 015056 (30 A, 2-pole)

Manufacturer:	Ripley Lighting Controls
Catalog Number:	CC-30-2-NO-E2-M-S-W-G-H-M1
<i>where:</i>	
CC =	electromagnetic contactor
100 =	load amperes per pole
2 =	number of poles
NO =	normally open
E2 =	NEMA stainless steel 4X enclosure
M =	without photocontrol receptacle (wired for remote)
S =	supply side breaker
W =	MOV surge protection
G =	ground lug
H =	hand-off auto switch
M1 =	multi-voltage selector switch, 120/208/240 or 277/480

9.4 Stock No. 015057 (pole mounting kit with bracket)

Manufacturer:	Ripley Lighting Controls
Catalog Number:	A004001

10. Sources

Ripley Lighting Controls Drawing No. SCT2703, Rev. B, 12/20/2023
Ripley Lighting Controls Drawing No. SCT2704, Rev. C, 01/05/2024
Ripley Lighting Controls Drawing No. SCT2702, Rev. C, 12/22/2023
Ripley Lighting Controls Drawing No. J004043, 4/24/05
SCL Material Standard 5685.00 (canceled/renumbered); "Lighting Contactor Controller"
Shipek, John; SCL Standards Supervisor and originator for 5732.03
www.ripleylightingcontrols.com