
Streetlight Photocontrols, Button Type, Flush-Mount



1. Scope

This standard covers the requirements for flush-mount, button type, streetlight photocontrols.

This standard applies to Seattle City Light (SCL) Stock No. 569336.

2. Application

Streetlight photocontrols are used as light-sensing switches to control luminaires. Photocontrols are designed to switch lamps off during the day and switch lamps on at night.

Streetlight photocontrols are intended for use with High Pressure Sodium (HPS) residential streetlight luminaires. Photocontrols are also capable of switching High Intensity Discharge (HID), fluorescent, and incandescent lamps.

3. Industry Standards

Streetlight photocontrols shall meet the applicable requirements of the latest revision of the following industry standards:

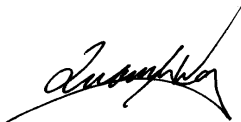
ANSI C136.24; American National Standard for Roadway and Area Lighting Equipment—non-Locking (Button)-Type Photocontrols

UL 773A; UL Standard for Safety Nonindustrial Photoelectric Switches for Lighting Control

Standard Coordinator
Quan Wang

Standards Engineering Supervisor
John Shipek

Division Director
Andrew Strong

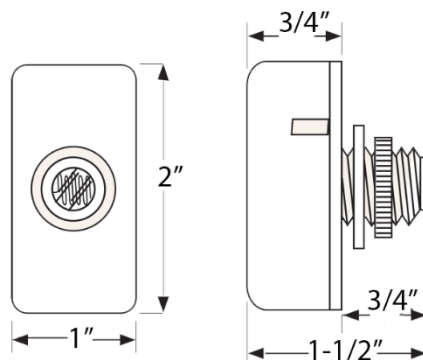


4. Requirements

Streetlight photocontrols shall have the following attributes:

Photocontrol style	Button
Photocell - light sensor	Cadmium Sulfide Cell
Application compatibility	HID, Fluorescent, Incandescent, HPS
Operating voltage range (Vac)	105-130
Load rating, tungsten (W)	1,800
Load rating, ballast (VA)	1,000
Operating temperature range, ambient (degrees C)	-40 to +65
Sensor time delay, minimum, seconds	30
Turn on light level (fc)	1 to 5
Turn off light level (fc)	3 to 15
Failure mode, nominal	fail-on
Housing	Polycarbonate (Gray or Black) with UV stabilized window
Control	Thermal State Switch Type
Switch type	Single pole, single throw, normally closed (SPST-NC) bi-metallic
ON/OFF operations, minimum	3650
Lead wire length, minimum (in)	6
Usage environment	Outside
Control dimensions, nominal (in)	1-3/4 (L) x 1 (W) x 1-1/2 (D) (see Figure 4)
Stem dimensions, nominal (in)	3/8 – 18 NPSM x 3/4 long, with locking nut and gasket

Figure 4. Button Photocontrol Dimensions, Nominal



5. Marking

Each photocontrol shall be marked with the following information:

- Manufacturer name
- Model number
- Voltage rating
- Load rating
- UL listing

6. Packaging

Photocontrols shall be packaged to prevent damage during shipping, handling, and storage.

Each standard package shall be legibly marked with the following information:

- Manufacturer identification
- Product description
- SCL stock number
- Quantity

Each shipping container shall be legibly marked with the following information:

- SCL purchase order number
-

7. Issuance

Stock unit: EA

8. Approved Manufacturers

Manufacturer	Catalog No.
Intermatic	K4021C
TE Connectivity	ALR-AA105
FP Outdoor Lighting Controls – Sun-Tech	FPFA-105
Tork Photocontrols	3000

9. Sources

SCL Stock Catalog page 57-21; June 11, 2018

Wang, Quan; SCL Standards Engineer, originator, and subject matter expert for 5730.35.

www.te.com

www.intermatic.com

www.fpolc.com

www.nsi-sales.com