

Globe Fixtures



1. Scope

This standard covers the requirements for globe fixtures and associated LED lamp and shield kit.

This standard applies to the following Seattle City Light (SCL) stock numbers:

Stock No.	Description
014459	Cyclone globe fixture, 22-in, green
014940	Cyclone globe fixture, 22-in, red-brown
014465	Cyclone globe fixture, 20-in, green
014941	Cyclone globe fixture, 20-in, red-brown
014466	Cyclone globe fixture, 18-in, green
014942	Cyclone globe fixture, 18-in, red-brown
014460	Evluma Omnimax LED lamp
014461	Shield kit

2. Application

Globe fixtures are used in a variety of locations, including historical districts as well as the Stadium and Mercer areas of the city.

The LED lamp specified in this standard can also be used in other mogul-base fixtures.

A conical light deflector (Shield Kit, Stock No. 014461) may be fitted over the internal light socket of the globe fixture to provide for globe illumination uniformity.

Standard Coordinator
Laura Vanderpool

Handwritten signature of Laura Vanderpool in black ink.

Standards Engineering Supervisor
Brett Hanson

Handwritten signature of Brett Hanson in black ink.

Division Director
Bob Risch

Handwritten signature of Bob Risch in black ink.

3. Requirements

3.1 Globe Fixtures

Fixture components shall include the following:

- One-piece white opal acrylic head module
- Porcelain lamp socket with 5-in diameter socket holder
- Custom-cast fitter for adapting fixture to SCL fluted steel poles with an 8-inch-wide diameter neck
- Terminal block for line-side connections, for mounting to underside of fitter

Fixtures shall be UV stabilized.

Fixtures shall have IP66 weatherproof protection.

Fixture shall be designed for tool-less installation and maintenance of all chambers.

Fixture shall have a rotational locking mechanism for easy lamp replacement.

Locking system shall be cast of 356 aluminum alloy with composition of less than .2% each of copper and iron and sealed with a gasket compression system.

The top half of the rotational locking system mechanism shall be integrally bonded and sealed, and mechanically fastened to the globe.

All external metal parts shall be powder coated, with color to match the following:

Stock Nos.	Color
014459, 014465, and 014466	Parker-Marathon paint color Railroad Green, P25-4497
014940, 014941, and 014942	Kelly-Moore paint color Majestic Ridge (red/brown), KM 4096-5

All aesthetic exterior fasteners shall be corrosion resistant and die cast aluminum. Internal fasteners shall be stainless steel.

Fixture shall be UL Listed or cUL Listed for wet locations.

3.2 LED Lamps

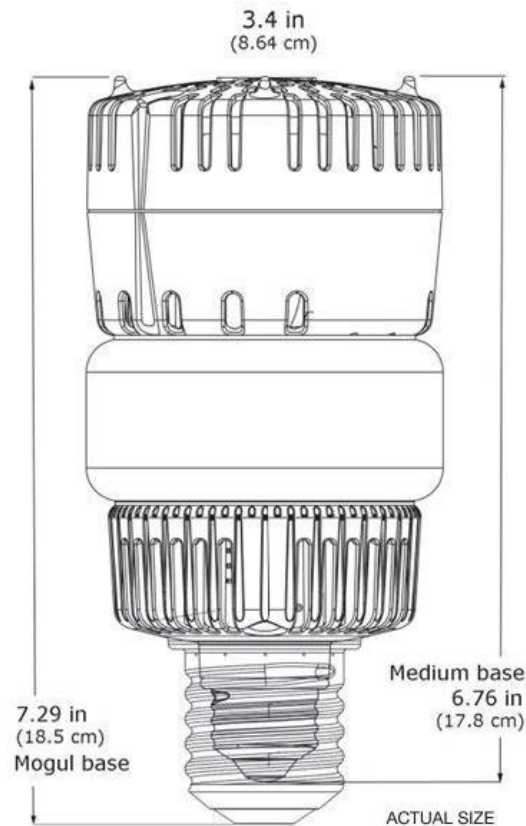
LED lamps shall meet the applicable requirements of ANSI C62.41.2 and this standard. See Table 3.2 and Figure 3.2.

Lamps shall be UL Recognized.

Table 3.2. LED Lamp Performance Requirements

On state power consumption, nominal	70 W
Correlated Color Temperature (CCT), nominal	2.7K
Color rendering index (CRI), minimum	82
Lumens, minimum	6400
Ambient temperature outside fixture	
Minimum	-40° C
Maximum	40° C
Base type	E39 (mogul)
Dimensions	3.4 in W x 7.3 in H
Starting temperature, minimum	-10 C / 14 F
Line voltage, nominal	120–277 Vac
Power factor	> 98%
Total harmonic distortion (THD)	< 18% at 120 Vac
Life, nominal	> 60,000 hours
Surge rating	20 kV / 10kA

Figure 3.2. LED Lamp Dimensions



4. Approved Manufacturers

Stock No. 014459, Globe Fixture, 22-in

Manufacturer: Cyclone Luminaire

Catalog Number: **CG11T4-D22-SPAO-LEDMO-120-SC-TX-CP5759**

where:

CG11T4 = globe-style fixture

D22 = diameter, 22 in

SPAO = sphere, acrylic opal (white)

LEDMO = mogul base for LED lamp

120 = voltage

SC = special color, railroad green

TX = textured paint finish

CP5759 = manufacturer record number

Stock No.014940, Globe Fixture, 22-in

Manufacturer: Cyclone Luminaire

Catalog Number: **CG11T4-D22-SPAO-LEDMO-120-RAL8012-TX-CP5759**

where:

CG11T4 = globe-style fixture

D22 = diameter, 22 in

SPAO = sphere, acrylic opal (white)

LEDMO = mogul base for LED lamp

120 = voltage

RAL8012 = color, RAL8012 (red/brown)

TX = textured paint finish

CP5759 = manufacturer record number

Stock No. 014465, Globe Fixture, 20-in

Manufacturer: Cyclone Luminaire

Catalog Number: **CG11T4-D20-SPAO-LEDMO-120-SC-TX-CP6023**

where:

CG11T4 = globe-style fixture

D20 = diameter, 20 in

SPAO = sphere, acrylic opal (white)

LEDMO = mogul base for LED lamp

120 = voltage

SC = special color, railroad green

TX = textured paint finish

CP6023 = manufacturer record number

Stock No. 014941, Globe Fixture, 20-in

Manufacturer: Cyclone Luminaire

Catalog Number: **CG11T4-D20-SPAO-LEDMO-120-RAL8012-TX- CP6023**

where:

CG11T4 = globe-style fixture

D20 = diameter, 20 in

SPAO = sphere, acrylic opal (white)

LEDMO = mogul base for LED lamp

120 = voltage

RAL8012 = color, RAL8012 (red/brown)

TX = textured paint finish

CP5759 = manufacturer record number

Stock No. 014466, Globe Fixture, 18-in

Manufacturer: Cyclone Luminaire

Catalog Number: **CG11T4-D18-SPAO-LEDMO-120-SC-TX-CP6024**

where:

CG11T4 = globe-style fixture

D18 = diameter, 18 in

SPAO = sphere, acrylic opal (white)

LEDMO = mogul base for LED lamp

120 = voltage

SC = special color, railroad green

TX = textured paint finish

CP6024 = manufacturer record number

Stock No. 014942, Globe Fixture, 18-in

Manufacturer: Cyclone Luminaire

Catalog Number: **CG11T4-D18-SPAO-LEDMO-120-RAL8012-TX-CP6024**

where:

CG11T4 = globe-style fixture

D18 = diameter, 18 in

SPAO = sphere, acrylic opal (white)

LEDMO = mogul base for LED lamp

120 = voltage

RAL8012 = color, RAL8012 (red/brown)

TX = textured paint finish

CP6024 = manufacturer record number

Stock No. 014460, LED Lamp

Manufacturer: Evluma

Catalog Number: **EVLOMNI-70-27K-MO-IKL70**

where:

EVLOMNI = Omnimax LED lamp

70 = watts

27K = 2.7K correlated color temperature

MO = E39 mogul base

IKL70 = 70 W installation kit

Stock No. 014461, Shield Kit

Manufacturer: Evluma

Catalog Number: **EVLOMNI-SHIELDKITS**

where:

EVLOMNI = Omnimax LED lamp

SHIELDKITS = shield kit

5. References

Evluma Light Shield Data Sheet; [Datasheet_OM_LTS_PN-100776-001_A02-1.pdf](#)

6. Sources

Cyclone Drawing No. CG11T4-CP5759-SO0307145 – PIONEER SQUARE.DOC;
16/11/2018

Cyclone Drawing No. CG11T4-CP5759-SQ_024132 – PIONEER SQUARE PHII.DOC;
16/11/2018

Cyclone Drawing No. CG11T4-CP5759 – SQ_032631, Columbia City Standard.docm;
11/24/2022

SCL Material Standard 5724.00; “Induction Ball Globe Fixtures” (canceled)

Vanderpool, Laura; SCL Standards Engineering Technical Writer and originator of
5724.15