

## Brackets, Mounting, Floodlight



### 1. Scope

This standard covers the requirements for floodlight mounting brackets.

This standard applies to Seattle City Light (SCL) Stock No. 568044.

### 2. Application

Mounting brackets are used to support floodlights on poles. Brackets are used where no crossarms are available.

For floodlights, see SCL 5719.20.

### 3. Industry Standards

**ASME B18.21.1**; Lock Washers (Inch Series)

**ASME B18.12**; Glossary of Terms for Mechanical Fasteners

**ASTM A36**; Standard Specification for Carbon Structural Steel

**ASTM A123**; Standard Specification for Zinc (Hot-Dip Galvanized) Coatings on Iron and Steel Products

**ASTM A153**; Standard Specification for Zinc Coating (Hot-Dip) on Iron and Steel Hardware

### 4. Requirements

Mounting brackets shall have the following attributes:

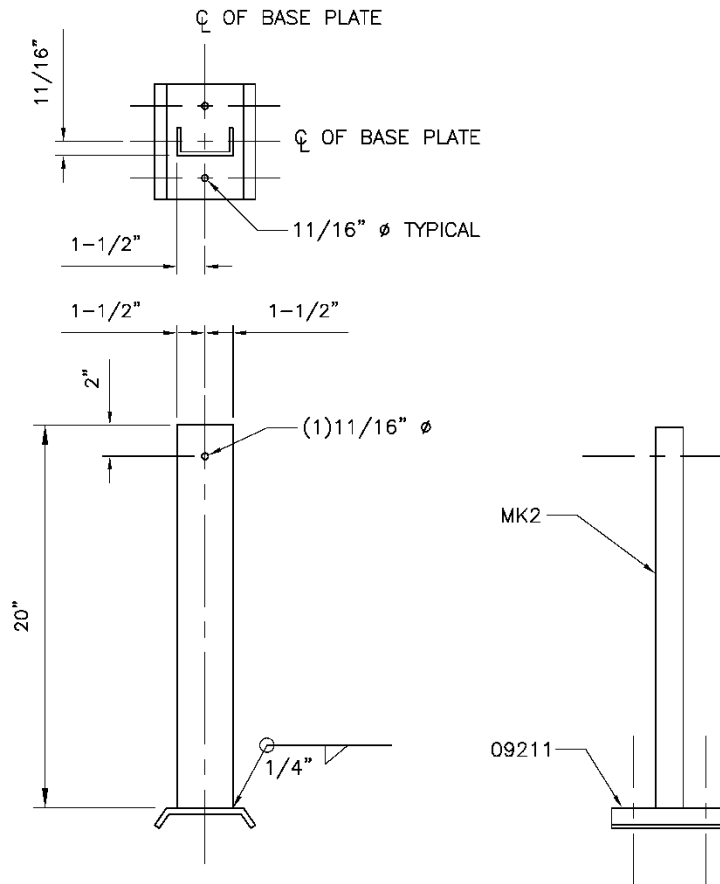
- Made of A36 steel
- Hot-dipped galvanized
- Include a 5/8-inch by 2-inch hex head machine bolt, lock washer, and hex nut, assembled; threads oriented upward
- Design and dimensions as shown in Figure 4.

Standard Coordinator  
Quan Wang

Standards Engineering Supervisor  
John Shipek

Division Director  
Andrew Strong

**Figure 4. Mounting Bracket Design and Dimensions**



## 5. Packaging

Mounting brackets shall be packaged to prevent damage during shipping, handling, and inside or outside storage.

Each standard package shall be legibly marked with the following information:

- Manufacturer identification
- Product description
- SCL stock number
- Quantity

Each shipping container shall be legibly marked with the following information:

- SCL purchase order number

## 6. Issuance

Stock unit: EA

## 7. Approved Manufacturers

<b>Manufacturer</b>	<b>Part No.</b>
Western Power Products, Inc.	LB-4
Wilcor	WAFLB

---

## 8. References

**SCL Material Standard 5719.20; "Floodlights, LED"**

---

## 9. Sources

**Stock Catalog page 57-4; Streetlight Arms, January 7, 2015**

**Wang, Quan; SCL Standards Engineer, originator, and subject matter expert for 5707.15.**