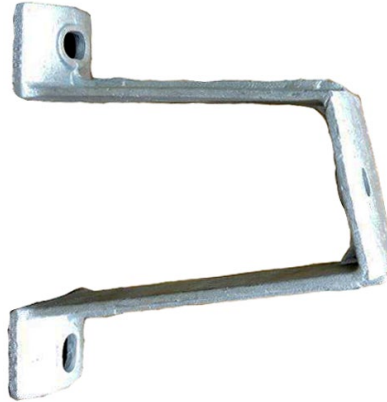


## Bracket, Mounting, for Horizontal Post Insulators



### 1. Scope

This standard covers the requirements for horizontal post insulator mounting brackets. This standard applies to Seattle City Light (SCL) Stock No. 580510.

### 2. Application

Horizontal post insulator mounting brackets are for mounting 34.5 kV horizontal post insulators on wood poles.

### 3. Industry Standards

Horizontal post insulator mounting brackets shall meet the applicable requirements of the latest revision of the following industry standards:

**ASTM A47**; "Standard Specification for Ferritic Malleable Iron Castings"

**ASTM A153/153M**; "Standard Specification for Zinc Coating (Hot-Dip) on Iron and Steel Hardware"

**ASTM A536**; "Standard Specification for Ductile Iron Castings"

**ASTM A575**; "Standard Specification for Steel Bars, Carbon, Merchant Quality, M-Grades"

Standard Coordinator  
Curtis Lu

Standards Engineering Supervisor  
Brett Hanson

Division Director  
Bob Risch

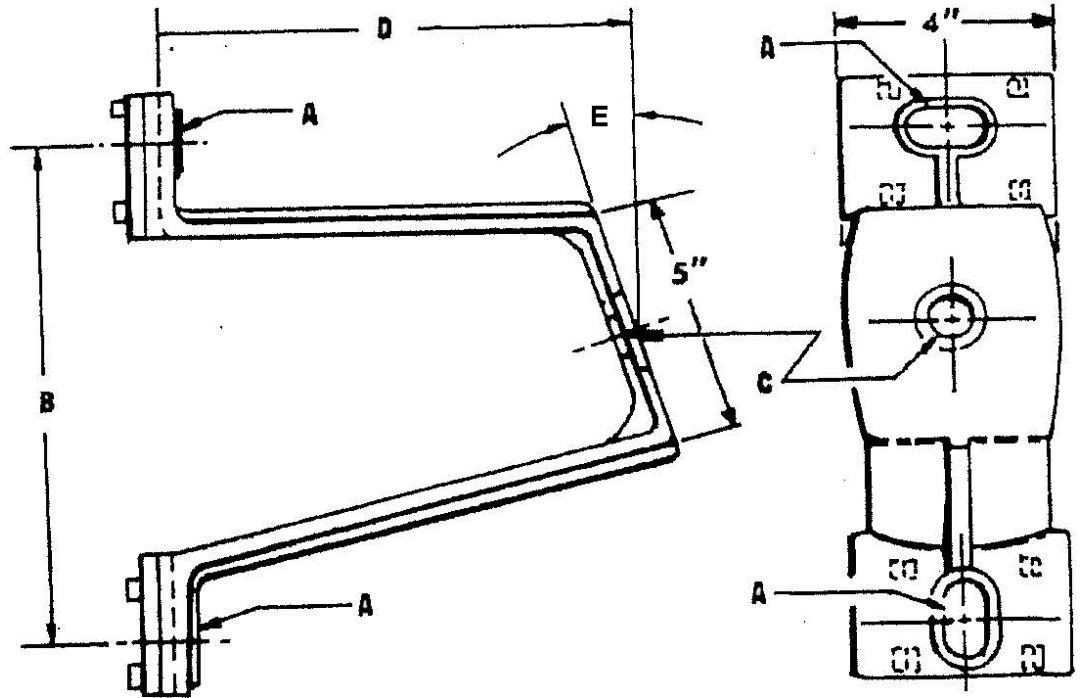
**4. Requirements**

The bracket shall be configured as shown in Figure 4 and Table 4. A base angle of 5 to 15 degrees is acceptable.

**Table 4. Bracket Requirements**

Material	Ductile iron, hot dip galvanized
Weight/100 (lb), nominal	861

**Figure 4. Bracket Dimensions**



<b>A</b>	<b>B</b>	<b>C</b>	<b>D</b>	<b>E</b>
Hole or slot for 5/8" mounting bolt	10"	Hole for 3/4" insulator stud bolt	9" pole clearance	5°-15° base angle

## 5. Approved Manufacturer

MacLean Power Systems HIB-109-5  
Travis Pattern & Foundry Inc. IND-HPI-4-10-9-FE

---

## 6. Packaging

Each standard package shall be legibly marked with the following information:

- Manufacturer's identification
- Product description
- SCL stock number
- Quantity contained

Each shipping container shall be legibly marked with the following information:

- Manufacturer's identification
  - Country of origin
  - Product description
  - SCL purchase order number
- 

## 7. Issuance

Stock Unit: EA

---

## 8. Sources

**SCL Material Standard 5632.7**; "Bracket, Mounting Horizontal Post Insulator" (canceled)  
**Tilley, Kathy**; SCL Electrical Engineering Support Specialist, and originator and subject matter expert for 5632.07 (kathy.tilley@seattle.gov)