

4. Requirements

Key lock box requirements include:

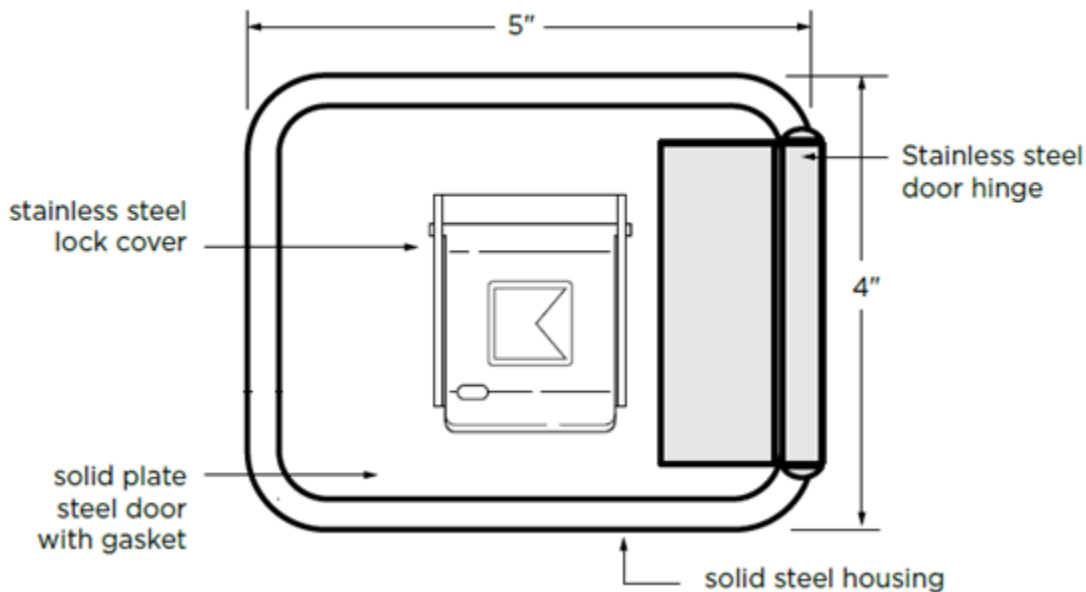
- Surface mount type
- Stainless steel door hinge
- 1/8-inch stainless steel lock cover with tamper seal mounting capability
- 1/4-inch solid steel housing
- Solid steel door with interior gasket seal
- Dimensions per Table 4

Locks shall be UL Listed, with double-action rotating tumblers and hardened steel pins accessed by a bias-cut key.

Table 4. Key Lock Box Dimensions

Stock No.	Exterior Dimensions			Door Thickness (in)
	Height (in)	Width (in)	Depth (in)	
400195	4	5	3-7/8	1/2
400214	4	5	2-3/4	1/4

Figure 4. Key Lock Box, Front View Details



5. Marking

Each product shall be marked with:

- Manufacturer identification
- Manufacturer model number
- UL Listed label

6. Packaging

Product shall be shipped completely assembled.

Product shall be packaged to prevent damage during shipping, handling, and storage.

Individual packages shall be legibly marked with:

- Manufacturer name
- Manufacturer catalog number
- Product description
- Seattle City Light stock number

Shipping containers shall be legibly marked with:

- Seattle City Light purchase order number
-

7. Issuance

Stock Unit: EA

8. Approved Manufacturers

Stock No.	Description	Manufacturer	Part No.
400195	Key lock box, deep	Knox Company	3262
400214	Key lock box, shallow	"	1658

9. Sources

Neuansourinh, Ponet; SCL Standards Engineer and originator of 4960.17
(ponet.neuansourinh@seattle.gov)

SCL Stock Catalog page 40-2; September 15, 2017

www.knoxbox.com