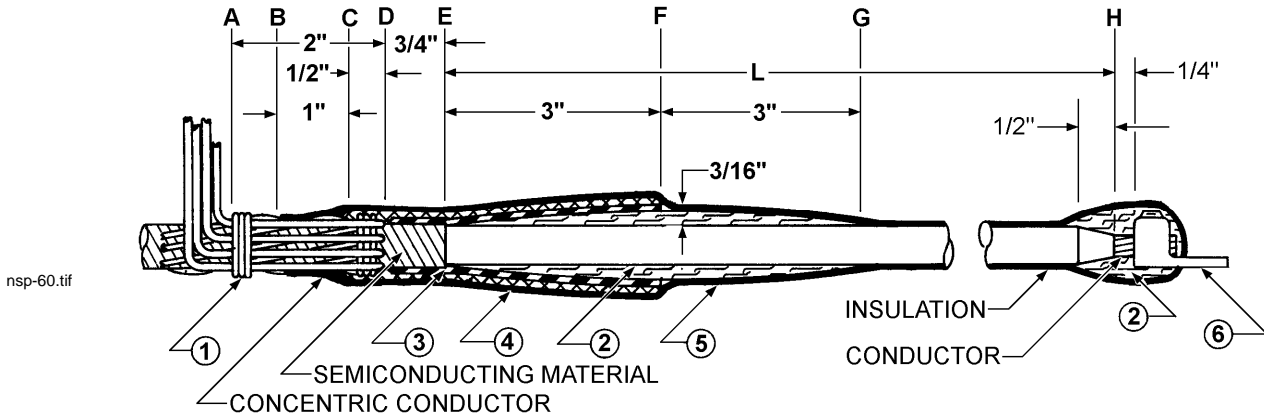


TERMINATION, 2/C, 5 KV, CONCENTRIC POLYETHYLENE INSULATION



LOCATION	L (MIN.)
Enclosed	8"
Exposed	15"

- A. Train cable to final position and cut to proper length.
- B. Bind concentric wires at point "D" with serving of several turns of wire, Stock No. 610218E. Unwrap the concentric wires and bend back over the binding wires so that they lie flat against the cable and parallel to each other. Bind to cable at point "A" as shown. Train away from cable and twist them together to form a single stranded conductor.
- C. Remove and trim factory-applied semiconducting sheath over insulation to point "E".
- D. Form cone between points "E" and "G", building up to a thickness of 3/16" at point "F" with insulating tape, Stock No. 736500, applied half-lap.
- E. Apply electrical conducting tape, Stock No. 736670, from point "D" to "F", half-lap, stretching tape to approximately 3/4 of its original width, to form a smooth void free splice.
- F. Apply shielding tape, Stock No. 736244, from point "F" to "C", quarter- to half-lap, wrapping from point "F" toward point "C". Solder shielding tape to concentric conductors at point "C".
- G. Remove insulation and the underlying semiconducting tape to expose the conductor for a distance of 1/4" plus length required for application.
- H. Pencil insulation for 1/2" back from point "H".
- I. Apply two layers half-lap, of plastic electrical tape, Stock No. 736644E, over entire termination, from point "B" to "H".

MATERIAL LIST

Item	Quantity	Description	Stock No.	Matl. Std.
1	As Req'd	Wire, #14, Soft Annealed, Bare Copper, Solid	610218E	6102.2
2	As Req'd	Tape, Insulating, 1"	736500	7365.0
3	As Req'd	Tape, Semiconducting, 3/4"	736670	7366.6
4	As Req'd	Tape, Tinned Copper Shielding, 1"	736244	7362.2
5	As Req'd	Tape, Plastic, Pressure Sensitive, 1"	736644E	7336.0
6	1	Lug, Terminal Connector	As Spec.	

ORIGINATOR	STANDARDS COORDINATOR	STANDARDS SUPERVISOR	UNIT DIRECTOR
<i>Jim S. Horn</i>	<i>Charles L. Shaffer</i>	<i>John S. Skinner</i>	<i>Betty Robin</i>