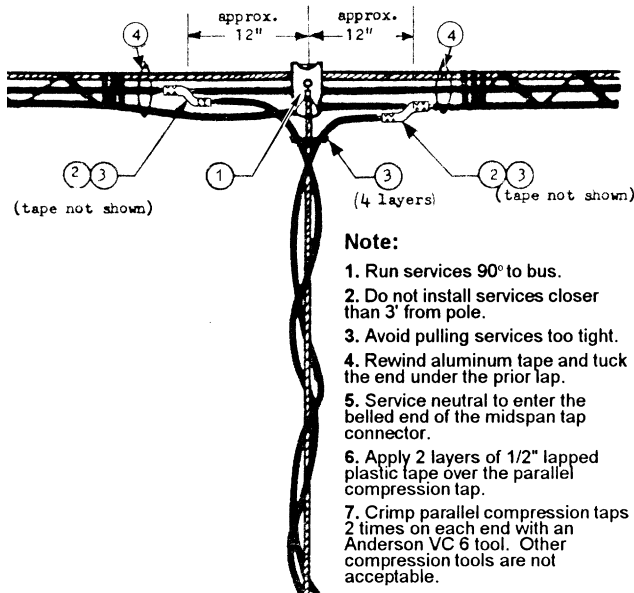


SEATTLE CITY LIGHT
CONSTRUCTION GUIDELINE

STANDARD NUMBER: **D9-11.6**
 PAGE: 1 of 1
 DATE: October 20, 1965
 REV: December 18, 1998

4/0 PARALLEL CABLE

MIDSPAN TAP DETAILS



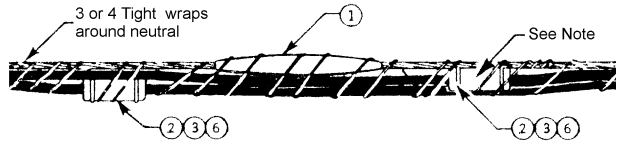
Note:

1. Run services 90° to bus.
2. Do not install services closer than 3' from pole.
3. Avoid pulling services too tight.
4. Rewind aluminum tape and tuck the end under the prior lap.
5. Service neutral to enter the belled end of the midspan tap connector.
6. Apply 2 layers of 1/2" lapped plastic tape over the parallel compression tap.
7. Crimp parallel compression taps 2 times on each end with an Anderson VC 6 tool. Other compression tools are not acceptable.

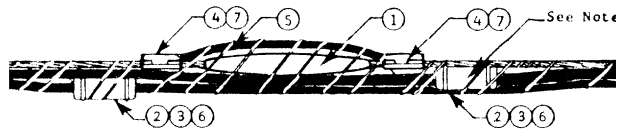
MATERIAL LIST

| Item | Qty | Description | Stock No. | Mfg. Cat. or Matl. Spec |
|------|---------|---|------------------|-------------------------|
| 1 | 1 | Tap, Bolted, Neutral Midspan 1/0-3/0 | 651110 | Alcoa # 206 |
| 2 | 2 | Tap, AMPACT, 4/0 to #2, Tap, AMPACT, 4/0 to 1/0 | 651090 651102 | ----- ----- |
| 3 | As Reqd | Tape, Plastic Electrical | 736655E | Matl. Spec. 7366.5 |
| 4 | 2 | Strap, Tie, Plastic, 14", 120lb, Blk. | 735811E | Matl. Spec. 7358.1 |

SPLICE



Under Local Distribution



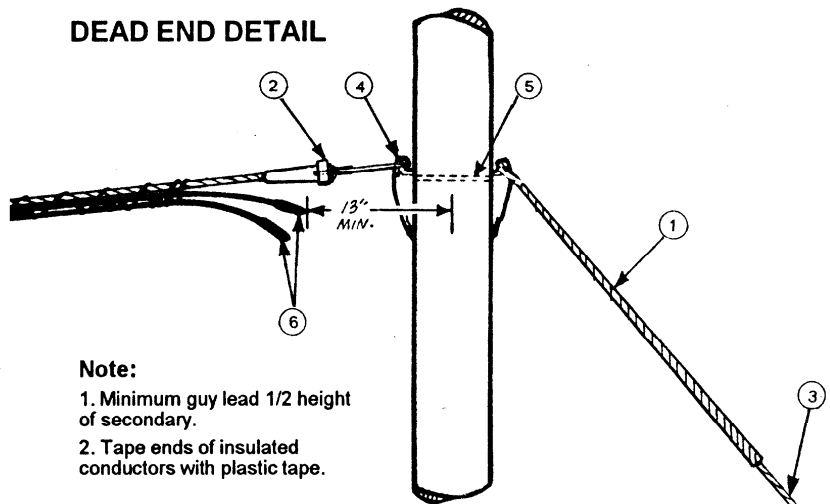
Neutral Shunt Under Main Line Feeder Only

Note: Use one layer insulating and waterproofing putty tape. Form putty tape around connector. Install polyethylene cover over the insulated splice for mechanical protection.

MATERIAL LIST

| Item | Qty. | Description | Size | Stk No. |
|------|---------|-------------------------------------|-------|---------|
| 1 | 1 | Splice, Automatic Guy Strand | 7/16" | 565338 |
| 2 | 2 | Connector, Alum. Compression | 4/0 | 650104E |
| 3 | 2 | Cover, Heat Shrink Tubing | | 737450E |
| 4 | 2 | Connector, Alum. Compression Tap | 4/0 | 677332E |
| 5 | As Reqd | 4/0 Insul. Alum. Scrap from Triplex | 4/0 | 600669 |
| 6 | As Reqd | Tape, Insul. & Waterproofing Putty | | 736470E |
| 7 | As Reqd | Tape, Plastic Insulating | | 736655E |

DEAD END DETAIL



Note:

1. Minimum guy lead 1/2 height of secondary.
2. Tape ends of insulated conductors with plastic tape.

| MATERIAL LIST | | | | |
|---------------|---------|--------------------------|---------|--------------------|
| ITEM | QTY | DESCRIPTION | SIZE | STOCK NO. |
| 1 | 1 | Alumaweld Guy Wire Grip | 7/16" | 565124E |
| 2 | 1 | Alumaweld Guy Dead End | 7/16" | 565051 |
| 3 | As Reqd | Alumaweld Guy Wire | 20M | 566408 |
| 4 | 2 | Guy Hook | | 565195E |
| 5 | 1 | Bolt | 3/4"x-L | 780875E to 780878E |
| 6 | As Reqd | Tape, Plastic Electrical | | 736655E |

| ORIGINATOR | STANDARDS COORDINATOR | STANDARDS SUPERVISOR | UNIT DIRECTOR |
|--------------------|---------------------------|------------------------|--------------------|
| <i>Jim S. Horn</i> | <i>Charles L. Shaffer</i> | <i>John C. Skinner</i> | <i>Betty Robin</i> |