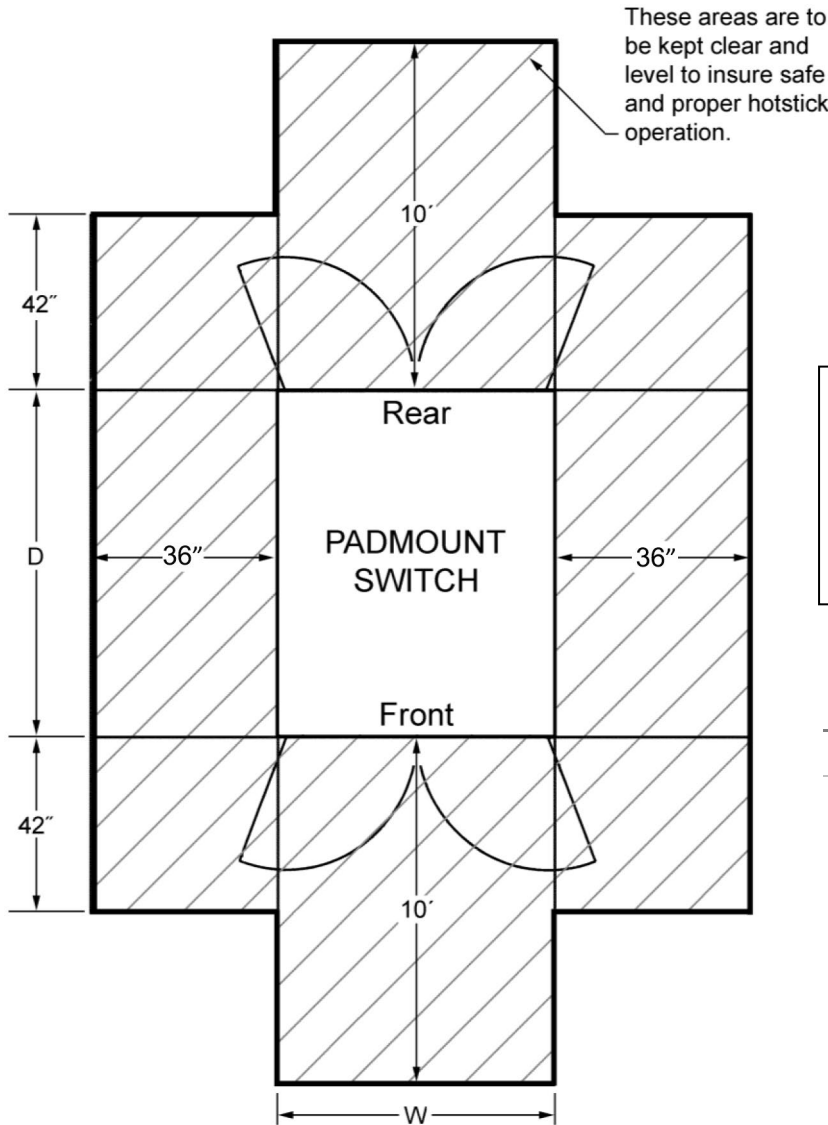


Pad Construction for Pad-Mounted Switchgear

Minimum Clearances



4-in diameter steel pipe barrier posts or 8-in curb to be specified as required.

Clearances between switchgear and conductive (metal) structures or material shall be a minimum of 10 ft from the front and rear, and 7 ft from the sides.

Pad Dimensions:

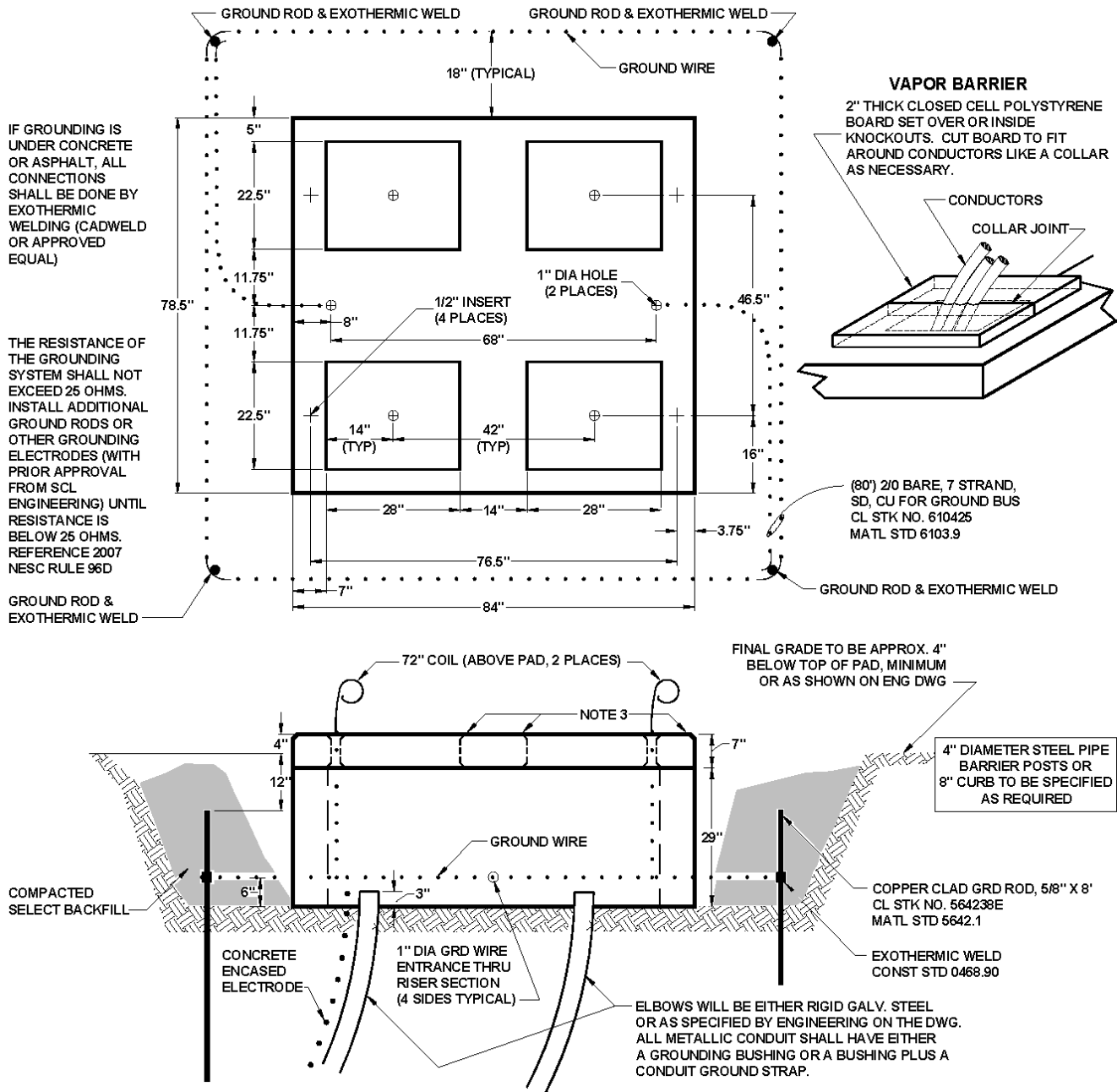
PMH Switch Type	W (in)	D (in)
5	45	67
9, 10, 11, 12	84	78-1/2

Standard Coordinator
Brett Hanson

Standards Engineering Supervisor
John Shipek

Division Director
Andrew Strong

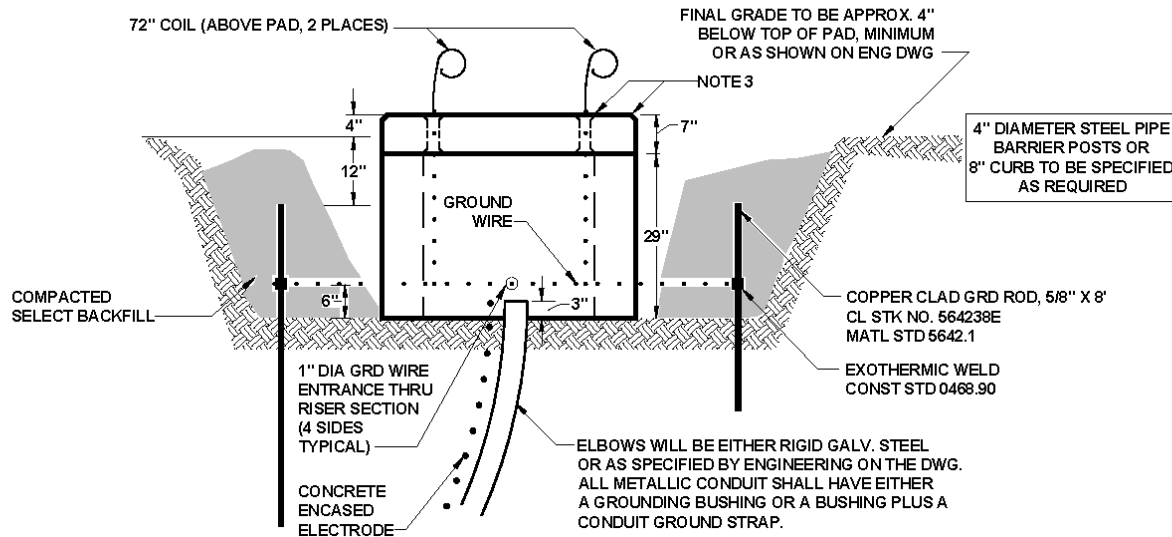
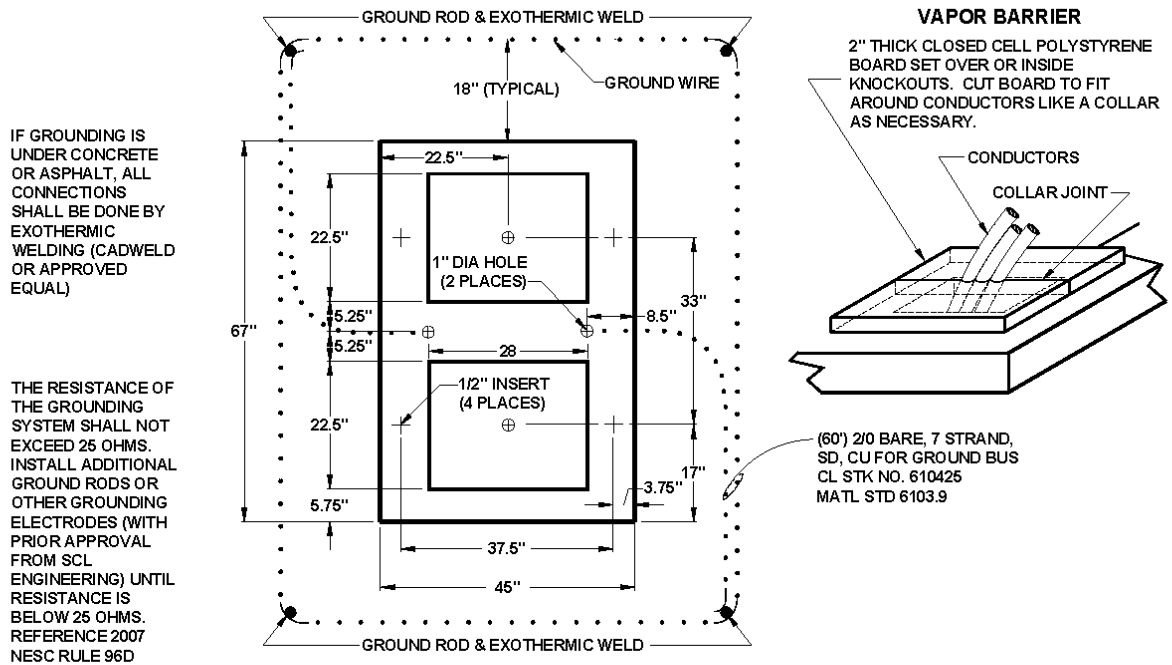
Four Compartment



Four Compartment Notes

1. This pad assembly consists of a base and a 29" riser. The base & riser may either be poured in place or prefabricated, and of either one- or two-piece construction.
2. See Seattle City Light drawing B-5704 for reinforcing and misc. construction details.
3. If poured in place, reinforcing bar must be in place and inspected by City Light before concrete pour.
4. Chamfer slab edge and cable openings one inch (1") on all sides.
5. If used to service customer equipment, top of elbow must be below service entrance height at the customer equipment.
6. Install vapor barrier over or inside knockouts. Use 2" closed cell polystyrene board. This is intended to be readily available material such as used in the least expensive ice chests. Cut board to fit around conductors like a collar as necessary.
7. Install a 50-ft 250 kcmil concrete-encased electrode in the bottom of the duct bank.

Two Compartment



Two Compartment Notes

1. This pad assembly consists of a base and a 29" riser. The base and riser may either be poured in place or prefabricated, and of either one- or two-piece construction.
2. See Seattle City Light drawing B-5704 for reinforcing and misc. construction details.
3. If poured in place, reinforcing bar must be in place and inspected by City Light before concrete pour.
4. Chamfer slab edge and cable openings one inch (1") on all sides.
5. If used to service customer equipment, top of elbow must be below service entrance height at the customer equipment.
6. Install vapor barrier over or inside knockouts. Use 2" closed cell polystyrene board. This is intended to be readily available material such as used in the least expensive ice chests. Cut board to fit around conductors like a collar as necessary.
7. Install a 50-ft 250 kcmil concrete-encased electrode in the bottom of the duct bank.