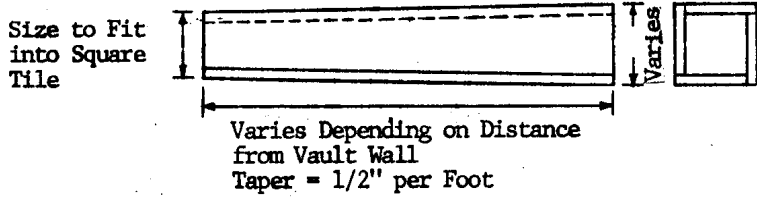
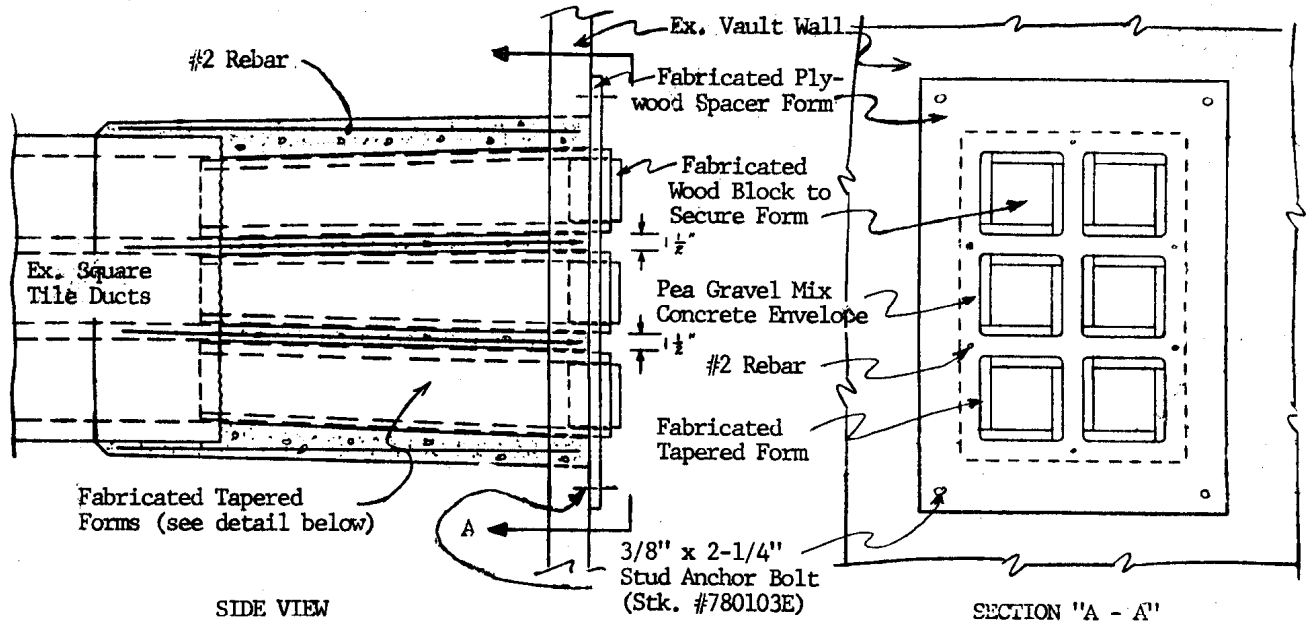


**SQUARE TILE DUCT REBUILD**



DETAIL OF TAPERED FORM TO REBUILD SQUARE TILE DUCTS  
 (Applicable for Duct Extensions of 3 to 4 ft. Maximum)

**MATERIAL LIST**

QTY	DESCRIPTION	STK NO.
As Reqd	1/2" Interior Plywood	----
As Reqd	Form Release	----
As Reqd	Concrete	----
As Reqd	#2 Rebar, 1/4" Dia.	----
4	3/8" x 2-1/4" Stud Anchor Bolt	780103E
4	3/8" Nut	782984E

Construction sequence

1. Saw cut entrance in vault wall for duct bank.
2. Fabricate plywood duct forms with taper to slide at least 2" inside existing clay tile duct bank and bring flush to inside face of vault wall. Apply a generous amount of form release to tapered duct forms before use.
3. Fabricate plywood spacer form with cutouts at each duct mouth with cutouts sized to match the inside opening of the duct forms. Cutouts are to be separated from each other by 1-1/2" horizontally and vertically. Install anchors in vault wall to bolt plywood spacer form in place.
4. Fabricate wood blocks to secure duct forms to plywood spacer form.
5. Provide #2 rebar for concrete envelope. Place wood forms around duct bank to provide 3" of concrete cover on all sides.
6. Place concrete by hand using pea gravel mix.
7. Vibrate concrete into spaces between forms.
8. Leave forms in place for at least one week before removal.
9. Strip forms. Grout and waterseal the vault penetration.

ORIGINATOR	STANDARDS COORDINATOR	STANDARDS SUPERVISOR	UNIT DIRECTOR
<i>Jim S. Horn</i>	<i>Charles L. Shaffer</i>	<i>John Schinner</i>	<i>Betty Robin</i>