

Switchgear, 27 kV, Padmount, Dead-Front, PME-Style



1. Scope

This standard covers the information necessary to install S&C Electric Co. (S&C) manual PME padmount switchgear in the Seattle City Light (SCL) 26 kV underground electrical distribution system.

These instructions represent the installation of manual PME switchgear and are intended to be used in conjunction with the manufacturer's installation instructions. It is important to read, understand, and follow the specific instructions provided with the switchgear to be installed.

See SCL 4507.80 for the material specifications for this switchgear.

See SCL 0801.04 for installation of PSE-style dead-front switchgear.

2. Application

This standard provides direction to SCL engineers, crews, and contractors for the installation of manual PME switchgear.

Standard Coordinator
Curtis Lu

Standards Engineering Supervisor
Brett Hanson

Division Director
Bob Risch

3. Requirements

Switchgear shall be constructed as shown in the figures and in accordance with the manufacturer's installation instructions.

3.1 Switchgear Dimensions

Figure 3.1a. Front View Applicable to PME-9, -10, -11, and -12 Switchgear Models

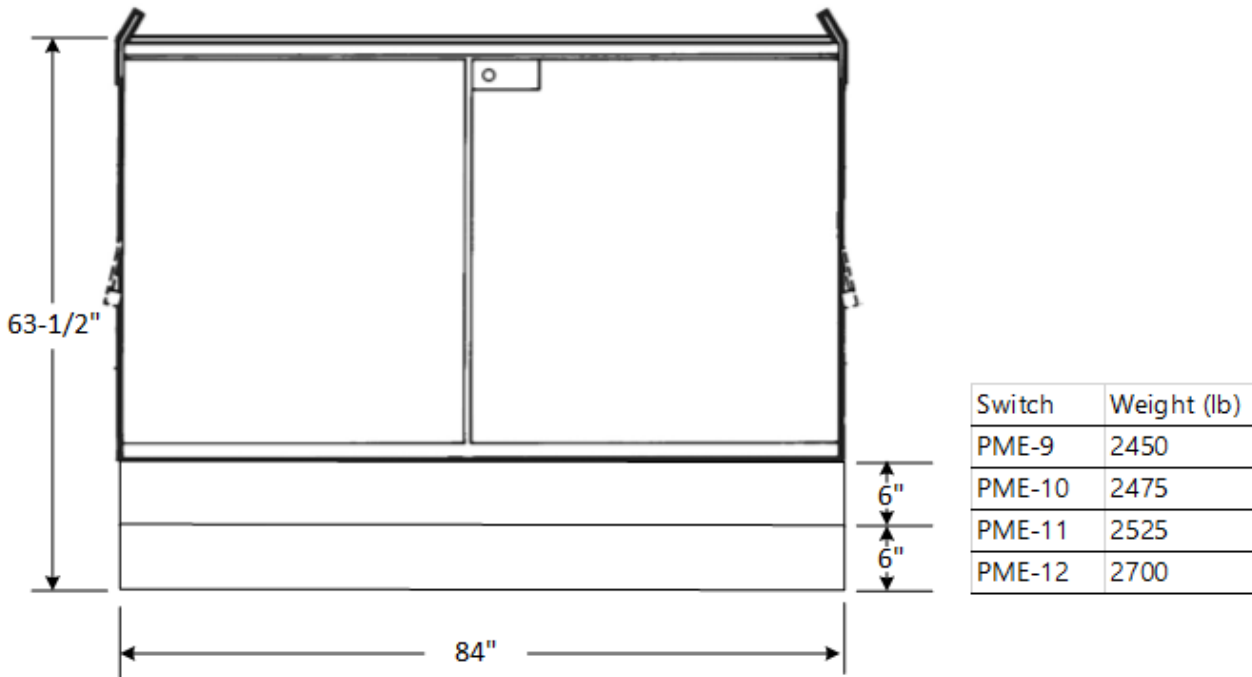


Figure 3.1b. Side View Applicable to PME-9, -10, -11, and -12 Switchgear Models

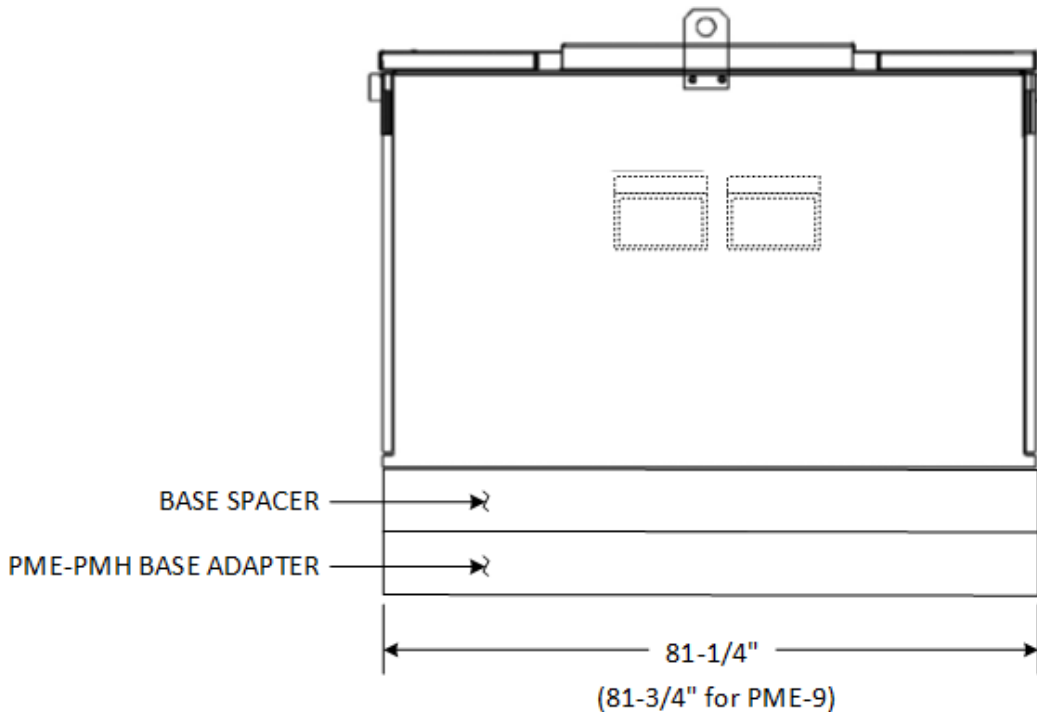
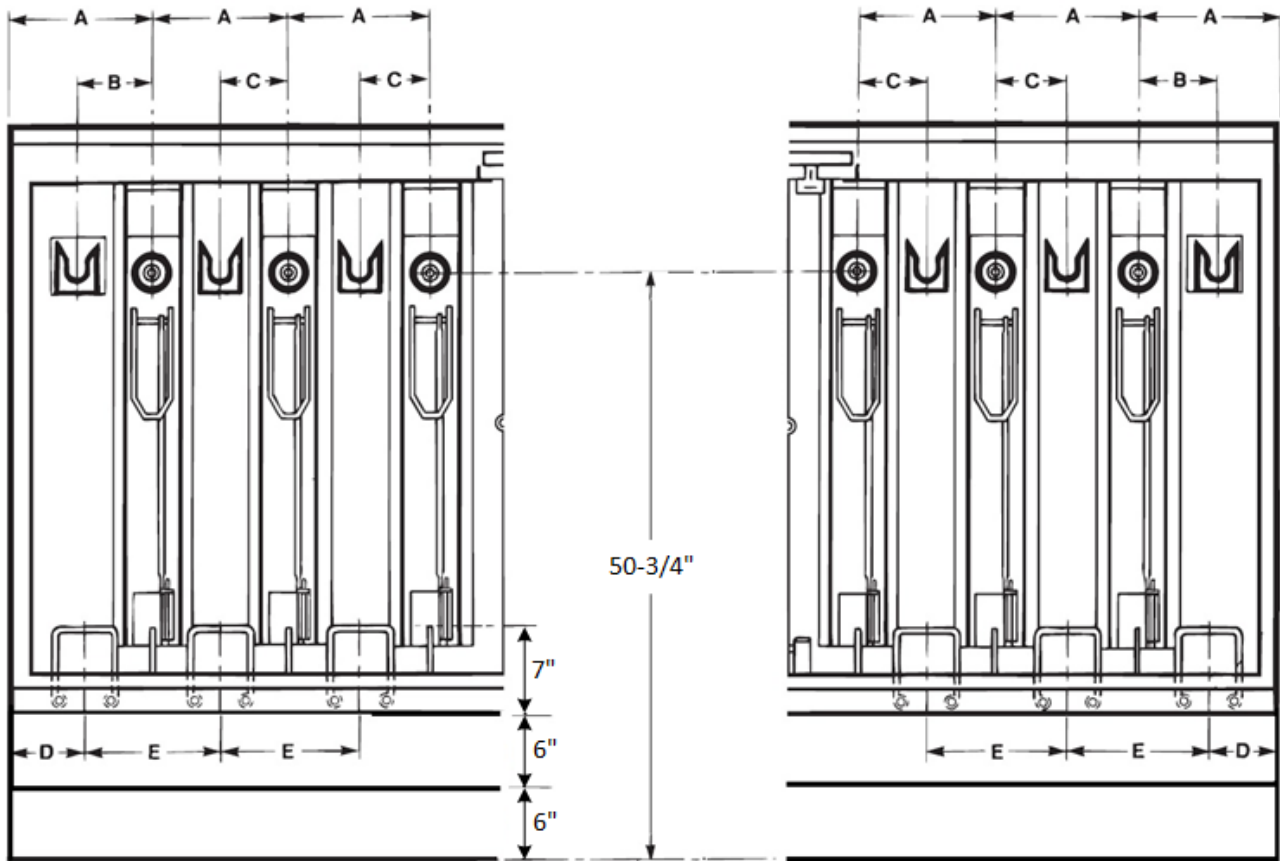
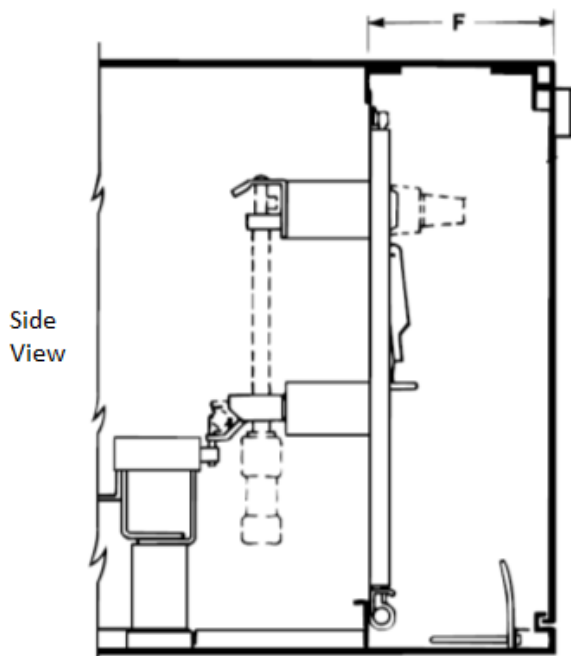


Figure 3.1c. Cable Compartment for Fuses



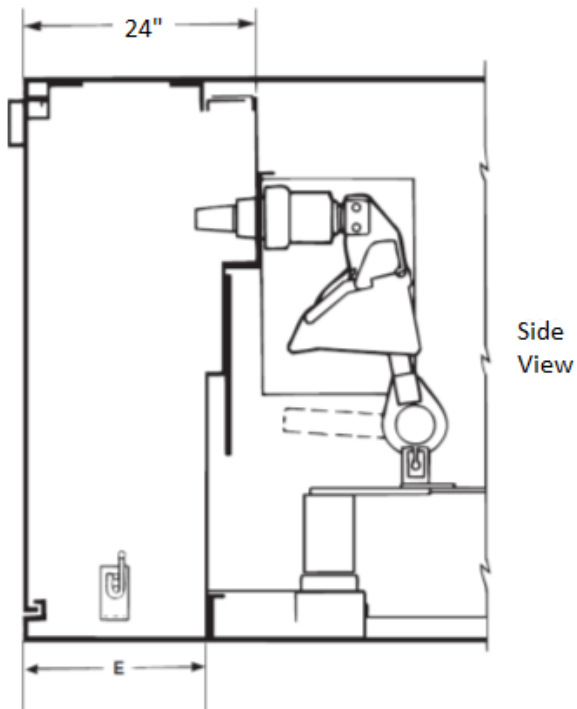
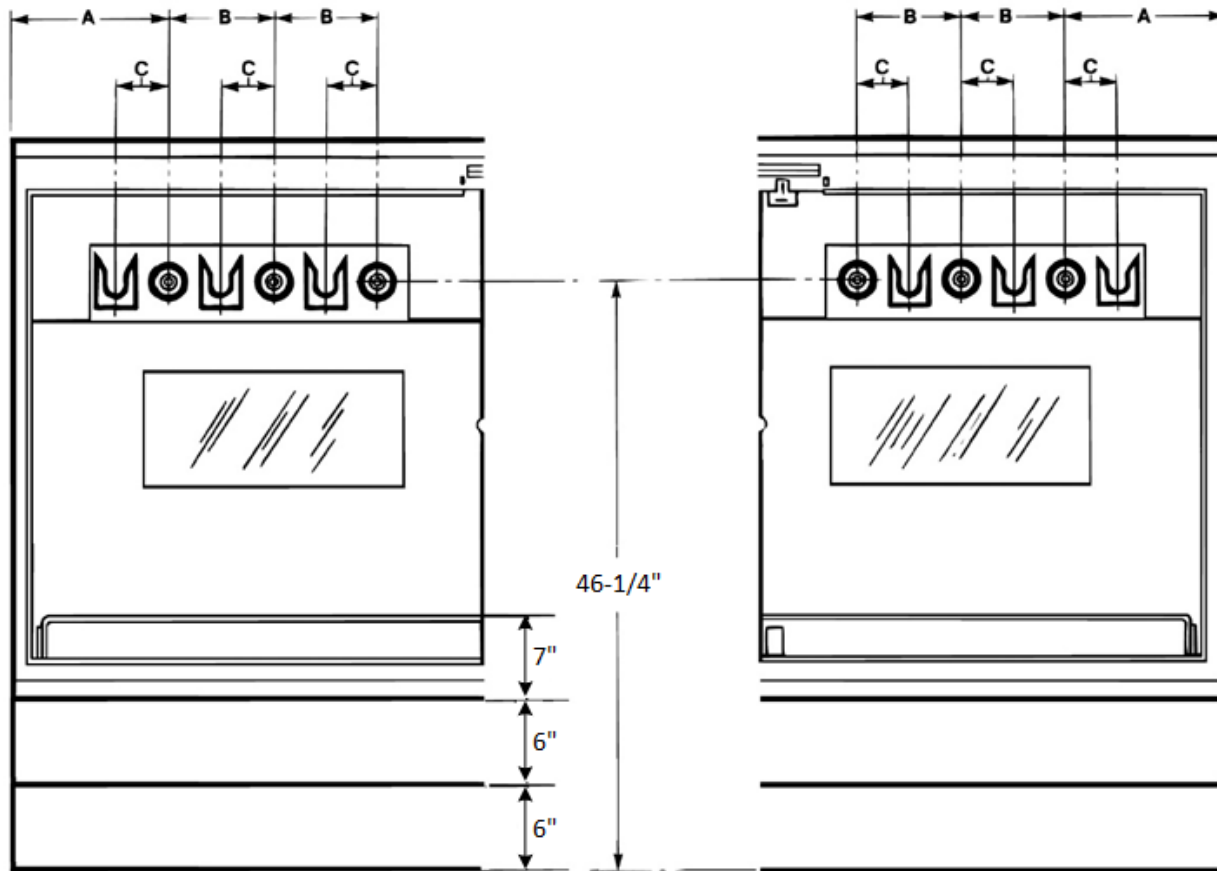
COMPARTMENT 4: PME-9, PME-12

COMPARTMENT 1: PME-12
 COMPARTMENT 3: PME-9, PME-11, PME-12



Dimensions (in)	
A	12
B	8-1/2
C	6
D	6
E	12
F	12

Figure 3.1d. Cable Compartment for Switches

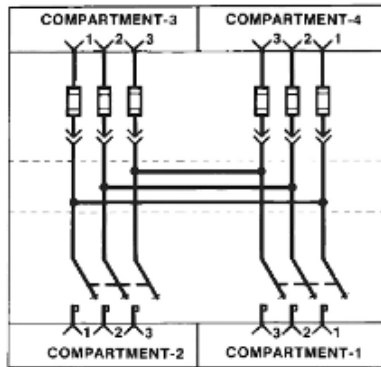


Side View

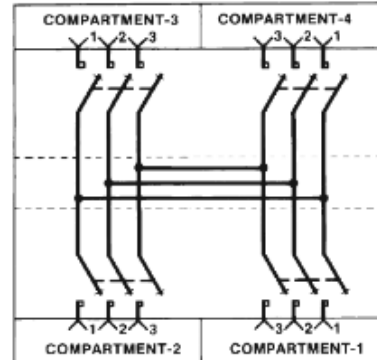
Dimensions (in)	
A	12-7/8
B	8-1/4
C	4-1/8
D	24
E	19-1/2
H	46-1/4

3.2 Switch Connection Diagrams and Switch Ratings

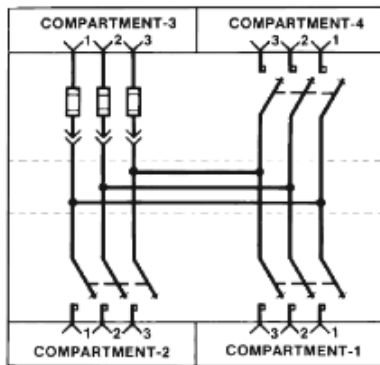
Figure 3.2. Switch Connection Diagrams



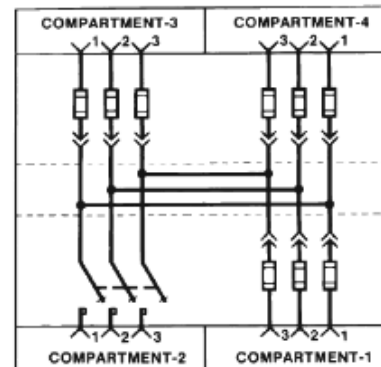
PME-9 Connection Diagram



PME-10 Connection Diagram



PME-11 Connection Diagram



PME-12 Connection Diagram

Table 3.2 Switch Ratings

Rated frequency (Hz)	60
Maximum voltage (kV)	27
Number of phases	3
Basic insulation level (BIL) (kV)	125
Main bus, continuous current (A)	600
Short circuit:	
Withstand current, amperes, peak	32,500
One-second short-time withstand current	12,500
Three-phase symmetrical at rated nominal voltage (MVA)	540
Three-pole interrupter switches:	
Continuous current (A)	600
Load-dropping current (A)	600
Three-time duty-cycle fault-closing current, peak (A)	32,500
Fuse bays:	
Continuous current (fuse) (A)	2000
Load-dropping current (fuse) (A)	200

3.3 Compartment Connections

Cables, terminations, connectors, and cable support assemblies shall be constructed as shown in figures 3.3a and 3.3b. The SCL engineer shall determine the size, type, and quantity of each item.

Terminations shall be made by following the cable terminator manufacturer instructions. See SCL 0525.81 for primary cable preparation.

Figure 3.3a. Compartment Connections – Side View

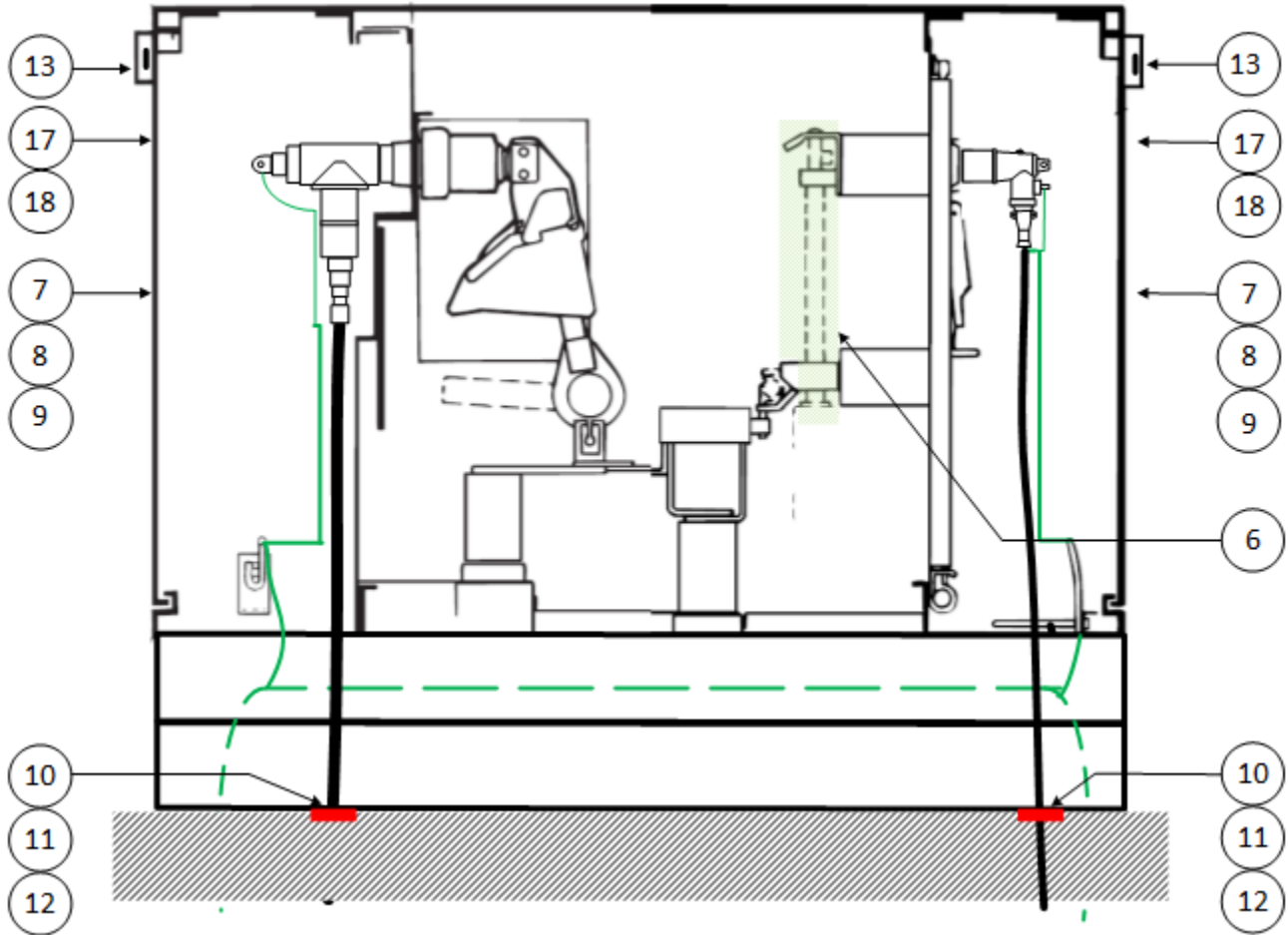
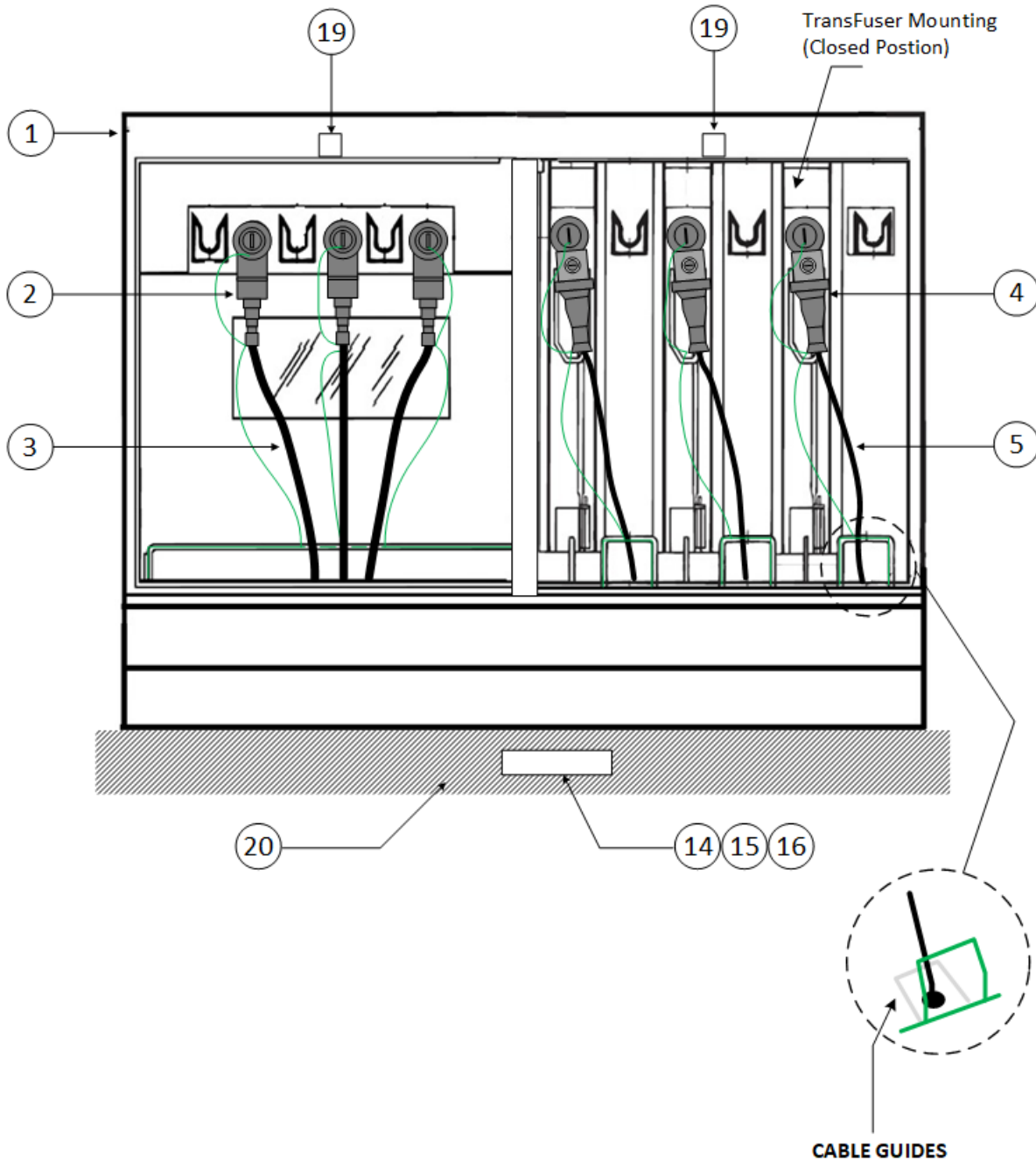


Figure 3.3b. Compartment Connections – Front View



3.4 Clearances

Clearances between switchgear and non-conductive structures or material shall be a minimum of 10 ft from the front and back, and 3 ft from the sides.

Clearances between switchgear and conductive (metal) structures or material shall be a minimum of 10 ft from the front and back, and 7 ft from the sides.

3.5 Fuses

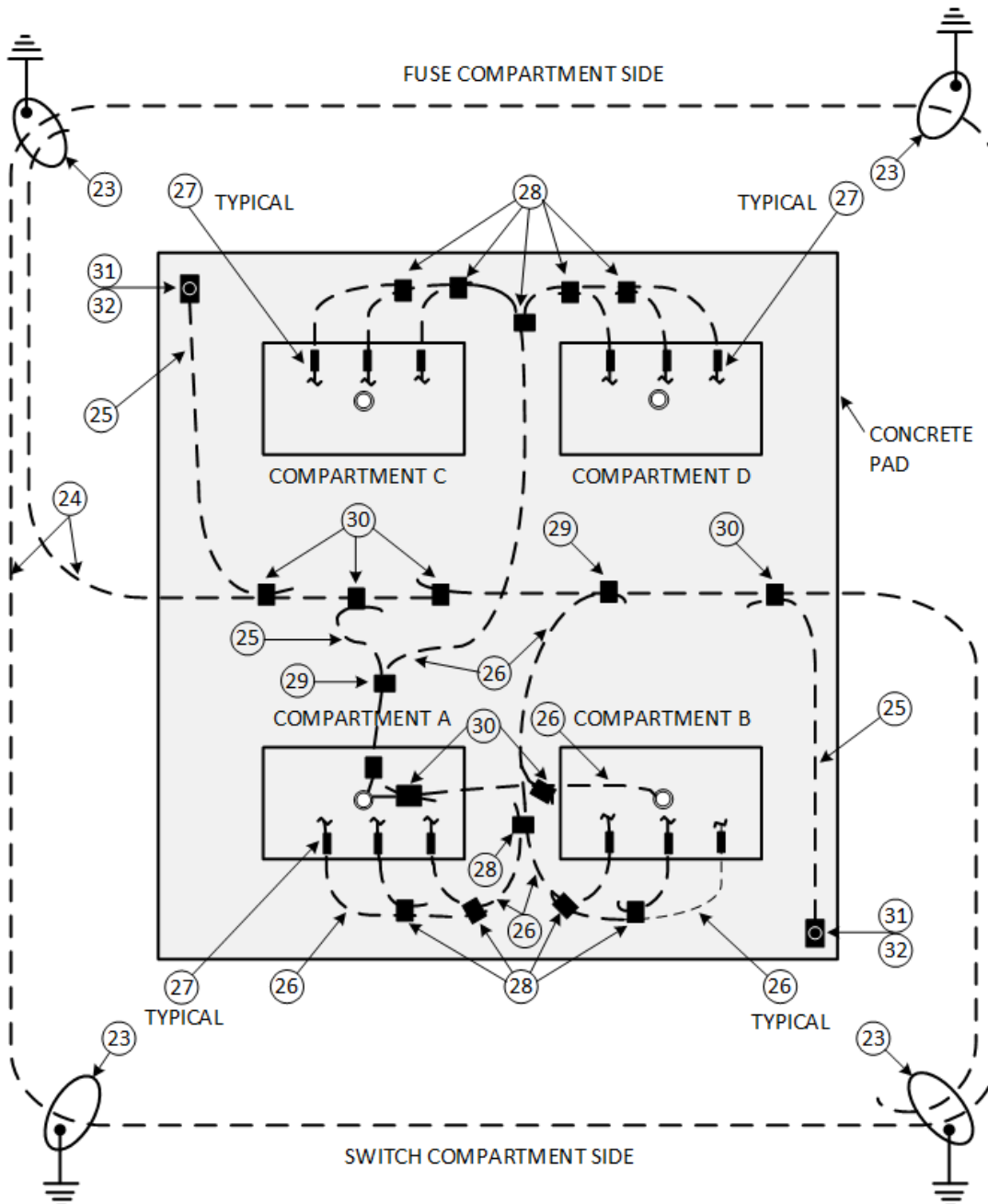
The SCL Engineer shall determine fuse size, type, and quantity. See SCL 6840.15 for the fuse material standard. See SCL 1065.17 for the primary fuse selection work practice for the Looped Radial system.

3.6 Grounding Connection

Grounding for switchgear shall be constructed in accordance with Figure 3.6.

The SCL engineer shall determine the size and quantity of customer-supplied material. See Table 5c.

Figure 3.6. Switchgear Grounding



3.7 Insulated Neutral

The SCL engineer shall determine the size of the insulated neutral.

3.8 Signs and Labels

The SCL engineer shall determine the type and quantity of signs and labels required for each type of switchgear per SCL 1167.13.

4. Construction Notes

4.1 Compartment Connections

When connecting elbows, avoid placing any intentional strain on the switch or fuse bushings.

Position cable before it is cut and terminated so that it is not pulling on or supported by the cable connectors on the switchgear.

Construct the cable support assembly from aluminum strut and thermoplastic cable assembly.

Cut the ends of the aluminum strut and drill holes to accommodate 3/8" x 3" Hilti bolts.

4.2 Fuses

Cables in the fuse termination compartments must be fed between the horizontal cable guides so they will not interfere with the TransFuser Mounting operation. See Figure 3.3b for cable routing details.

4.3 Grounding

Make only one connection between the primary neutral and the grounding conductors.

The connection point to the neutral shall be a minimum of six inches above the bottom of the manhole to protect against neutral corrosion.

In cases where all primary cables are drain-wire construction, connect drain wires together, but not do not ground them.

4.4 Pad

The pad is usually provided by the customer. The SCL engineer provides general pad design information.

4.5 Sealing

Seal conduits with inflatable conduit sealing devices as specified in Table 5d.

5. Material List

Table 5a. Materials for Switchgear, 27 kV Padmount, Live-Front, PME-Style

Fig	Compatible Unit	ID	Quantity			
3.3a 3.3b	PME-12 Switchgear	SWPME12				
3.3a 3.3b	PME-11 Switchgear	SWPME11				
3.3a 3.3b	PME-10 Switchgear	SWPME10				
3.3a 3.3b	PME-9 Switchgear	SWPME9				
#	Material Description	ID				
1	PME-9	014805	1	-	-	-
1	PME-10	014806	-	1	-	-
1	PME-11	014807	-	-	1	-
1	PME-12	014808	-	-	-	1
7	Sign, "Danger Hazardous Voltage"	765182	2	2	2	2
8	Sign, "Call 811 Before You Dig"	765255	1	1	1	1
9	Sign, "Notice: Landscaping Requirements"	014125	1	1	1	1
10	Channel rack, support, 1-5/8" x 1-5/8"	723502	10	10	10	10
12	Anchor bolt, carbon steel, expansion	780104	4	8	8	8
14	Panel	766300	1	1	1	1
15	Nail, anchor drive, 1/4" x 1"	780010	2	2	2	2
21	Sealant, electrical (not shown in figure)	736470	1	1	1	1
22	Tape, plastic, electrical (not shown in figure)	736655	2	2	2	2

Table 5b. Materials for Switchgear Grounding

Fig	Compatible Unit	ID	Qty
3.6	PME Switchgear Grounding	GRND-SWPME	
#	Material Description	ID	
25	Wire, 2/0, bare Cu, soft drawn, stranded	610425	6
26	Wire, #2, bare Cu, soft drawn, stranded	610434	50
27	Connector, compression, Cu, "C", #2 to #4	677325	12
28	Connector, compression, Cu, "C", #2 to #2	677326	13
29	Connector, compression, Cu, "C", 2/0-4/0 to #2	677330	2
30	Connector, compression, Cu, "C", 2/0-4/0	677332	3
31	Terminal, Compression, Cu, paddle 2/0	677077	2
32	Bolt assembly kit, stainless steel, 1/2" - 13 x 2"	782040	2

Table 5c. Customer-Supplied Material

#	Material Description	Stock No.	PME 9	PME 10	PME 11	PME 12
23	Ground rods and clamps	564238	4	4	4	4
33	Connector, 2 cables, (#4 AWG –2/0) to 5/8" rod	676551	4	4	4	4
24	Wire, 2/0, bare Cu, SD, stranded (ft)	610425	80	80	80	80
20	Pad (typical design drawing provided by SCL)	–	1	1	1	1

Table 5d. Materials to be Selected and Quantified by Engineer (see Figures 3.3a and 3.3b)

#	Material Description	ID
2	Cold Shrink 600 A Elbow Kit with Range-Taking, Shear Bolt, 350-500 AWG	014312
2	Cold Shrink 600 A Elbow Kit with Range-Taking, Shear Bolt, 750-1250 AWG	014313
2	Cold Shrink 600 A Elbow Kit with Range-Taking, Shear Bolt and Integral 200 A Loadbreak Tap, 350-500 AWG	014315
2	Cold Shrink 600 A Elbow Kit with Range-Taking, Shear Bolt and Integral 200 A Loadbreak Tap, 750-1250 AWG	014316
3	Cable, 28 kV, Triplex Insul., Flat Strap Shielded, 350 kcmil	011962
3	Cable, 28 kV, Triplex Insul., Flat Strap Shielded, 500 kcmil	011963
3	Cable, 28 kV, Triplex Insul., Flat Strap Shielded, 750 kcmil	011964
3	Cable, 28 kV, Triplex Insul., Flat Strap Shielded, 1000 kcmil	012501
4	Loadbreak elbow kit for 28 kV, 1/0 AWG cable	686445
5	Cable, 28 kV, AL, Concentric Neutral, 1/0 solid	012098
6	Fuse, current-limiting, full range, 25X	014332
6	Fuse, current-limiting, full range, 40X	014331
6	Fuse, current-limiting, full range, 65X	014330
11	Thermoplastic cable support assembly, 28 kV, 1/0, 2/C, bare	011961
11	Thermoplastic cable support assembly, 28 kV, 350 kcmil, 1/C	011962
11	Thermoplastic cable support assembly, 28 kV, 500 kcmil, 1/C	011963
11	Thermoplastic cable support assembly, 28 kV, 750 kcmil, 1/C	011964
11	Thermoplastic cable support assembly, 28 kV, 1000 kcmil, 1/C	012501
34	Inflatable conduit sealing device, 4.75"–5" conduit range (not shown)	737533
35	Inflatable conduit sealing device, 3.25"–4.5" conduit range (not shown)	737532

Table 5e. Miscellaneous Non-Stock Materials

#	Material Description
13	Padlock, SNM-1
17	Label, Equipment (PS) Number
18	Label, Switch (SW) Number
19	Label, Compartment Identification Letter

6. References

SCL Construction Standard 0801.04; “Switchgear, 27 kV, Padmount, Dead-Front, PSE-Style”

SCL Material Standard 4507.80; “Switchgear, 27 kV, Three-Phase, Dead-Front, Padmount”

SCL Material Standard 6840.15; “Fuses, 15.5 kV, Full-Range, Current-Limiting, Type X, Clip Style”

SCL Work Practice 1065.17; “Primary Fuse Selection, Looped Radial System”

SCL Work Practice 0525.81; “Primary Cable Preparation”

7. Sources

Shetab, Muneer; SCL Standards Engineer, originator, and subject matter expert for 0801.03

SCL Construction Standard 0801.02; “Switchgear, 27 kV, Padmount, Live-Front”

S&C Descriptive Bulletin 665-30; Manual PME Pad-Mounted Gear, Air-Insulated, Dead-Front, Outdoor Distribution (14.4 kV and 25 kV). September 7, 2021

S&C Specification Bulletin 665-31S&C Instruction Sheet 665-505; PME Pad-Mounted Gear, Outdoor Distribution (14.4 kV and 25 kV), Installation; PME Pad-Mounted Gear, Outdoor Distribution (14.4 kV and 25 kV), Specification