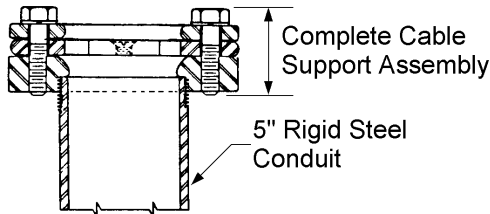
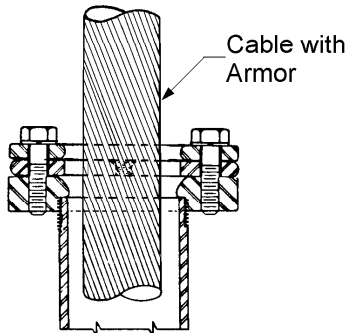


**ARMORED CABLE SUPPORT
 FOR HIGH RISE BUILDINGS**

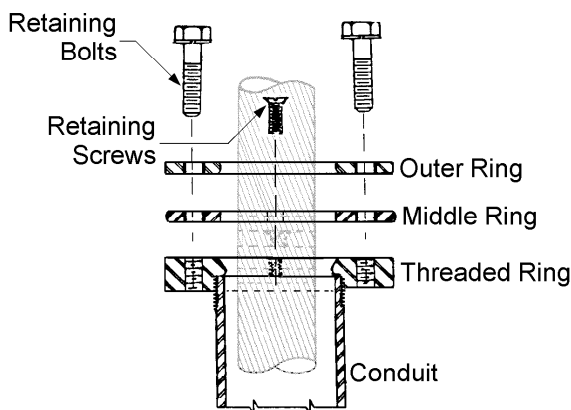
Installation Procedure



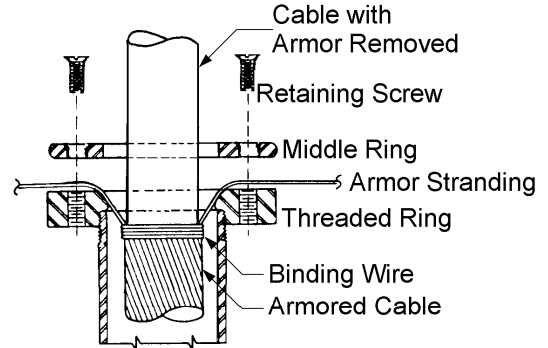
1. Install completely assembled cable support fitting, Stock No. 731142, securely to conduit. Be sure that the fitting seats on conduit. (Oz Gedney Cat. No. FT 5040 or equal.)



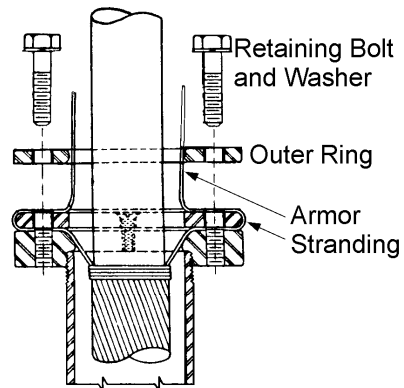
2. Install armored cable and provide temporary support.



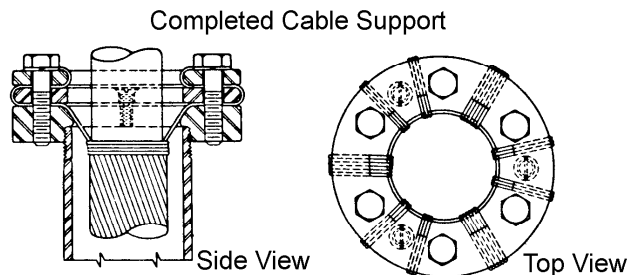
3. Remove retaining bolts, screws, and the outer and middle retaining rings and slide the rings up the cable out of the way.



4. Cut the armor wires 24" to 48" from the cable support fitting, bend outward and securely reinstall the middle ring.



5. Bend the armor wires inward and securely reinstall the outer ring.



6. Bend the armor wires outward and cut off excess as shown in completed cable support.

nci-140.tif

ORIGINATOR	STANDARDS COORDINATOR	STANDARDS SUPERVISOR	UNIT DIRECTOR
<i>Jim S. Horn</i>	<i>Charles L. Shaffer</i>	<i>John C. Skinner</i>	<i>Betty Robm</i>