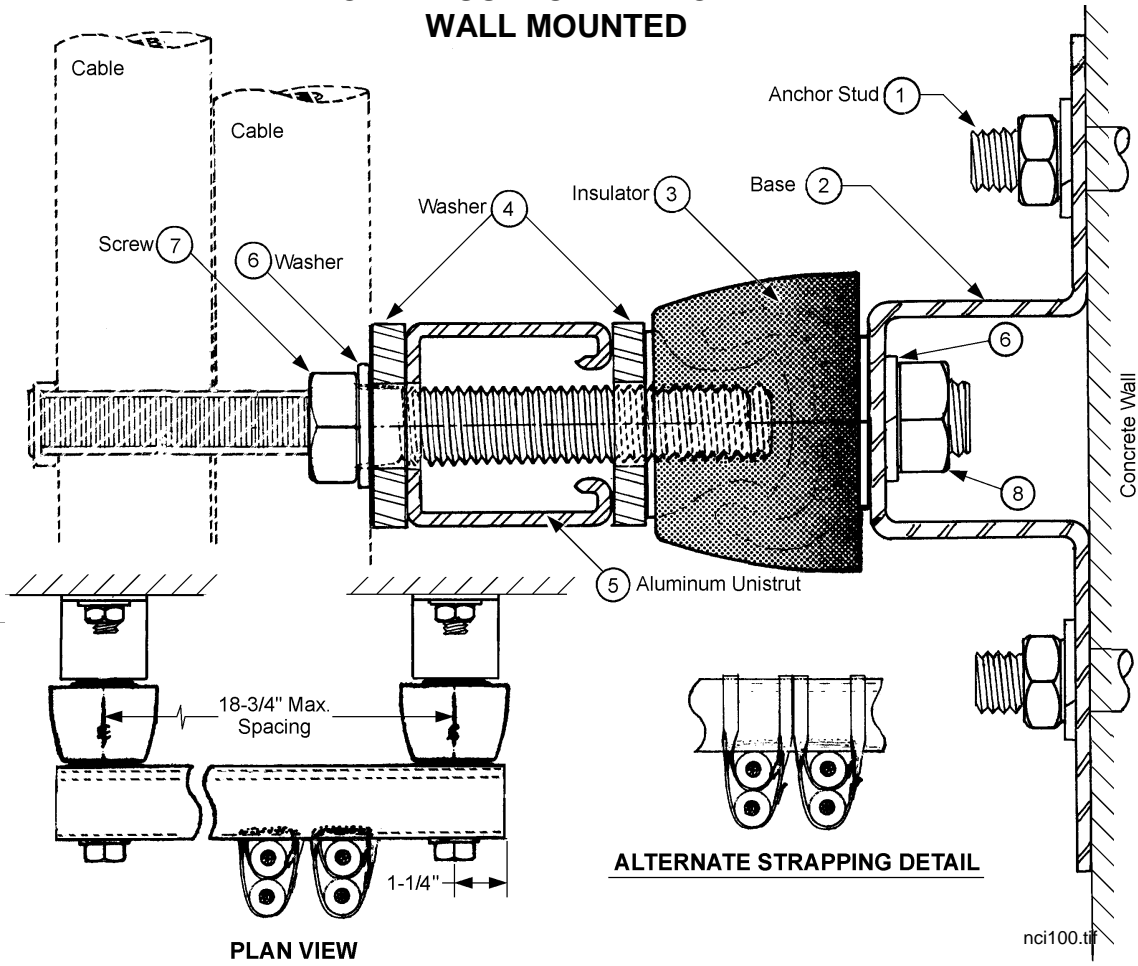


**CABLE SUPPORT BRACKET  
WALL MOUNTED**



**ALTERNATE STRAPPING DETAIL**

**Materials List**

Item	Description	Stock No.
1	ANCHOR, stud bolt, 1/2" x 3-3/4"	780111
2	BASE, insulator, neutral bus support	690882
3	INSULATOR, neutral bus support	690880
4	WASHER, flat plate fitting, 1-5/8" x 1-5/8" x 1/4", for 5/8" screw	788192
5	STRUT, channel conduit support, aluminum	723502
6	WASHER, 5/8", lock, galvanized	584260
7	CAP SCREW, hex head, steel, zinc plate, 5/8" x 3" 11NC	784893
8	NUT, hex, steel, zinc plate, 5/8" 11NC	010162

**Notes:** Ream out 9/16" hole(s) in Unistrut and washers to 11/16" for 5/8" bolt alignment.  
Refer to the vault drawing for the location and size and number of conductors to be installed.

Standards Coordinator  
Quan Wang

Standards Supervisor  
John Shipek

Unit Director  
Darnell Cola