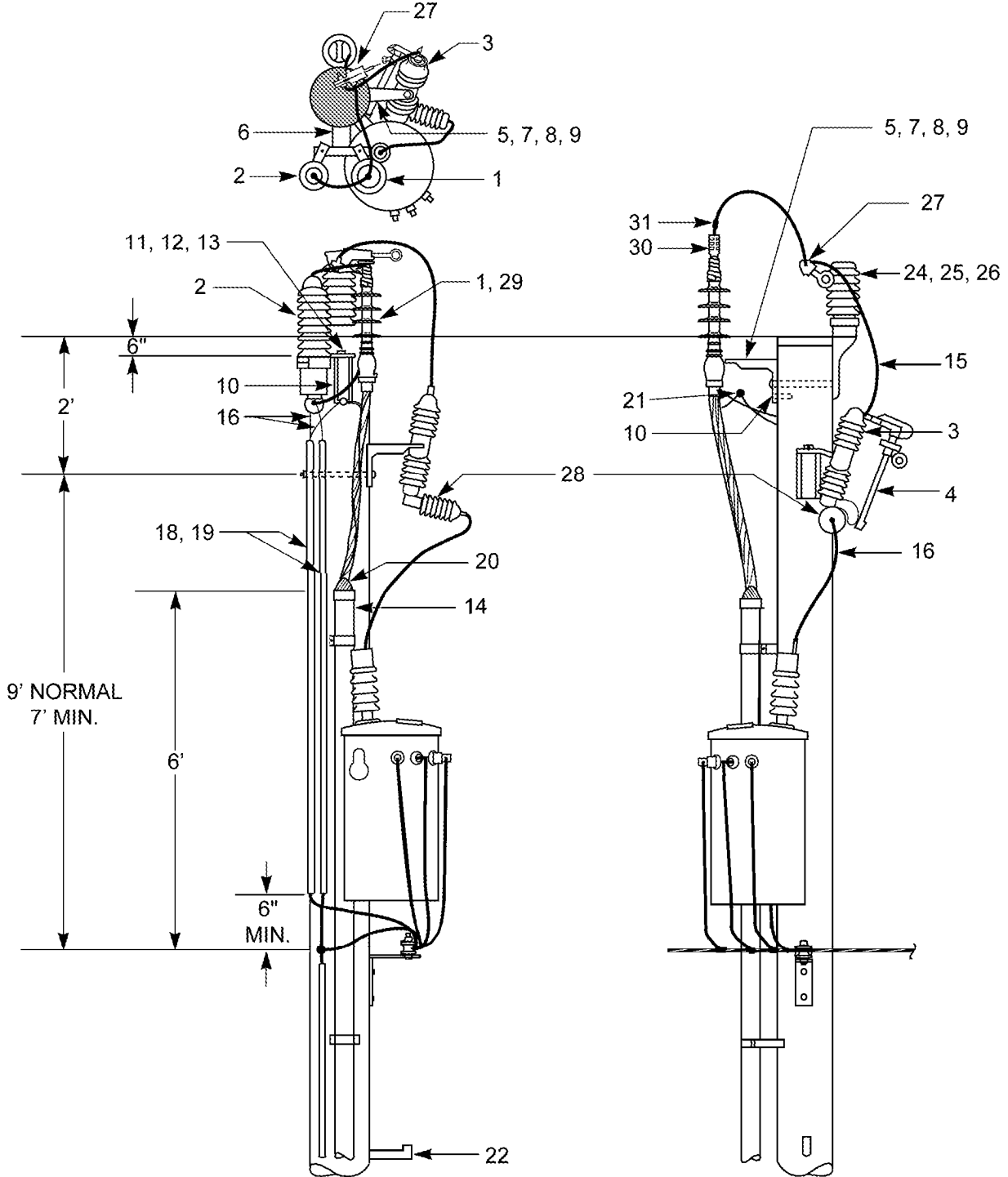


CONSTRUCTION GUIDELINE

**POLE TERMINATION, 26 KV SINGLE PHASE
UNDERGROUND SUPPLY TO OVERHEAD TRANSFORMER**



ORIGINATOR

Jim S. Horn

STANDARDS COORDINATOR

Charles L. Shaffer

STANDARDS SUPERVISOR

John Skinner

UNIT DIRECTOR

Betty Robm

CONSTRUCTION GUIDELINE**POLE TERMINATION, 26 kV SINGLE PHASE
UNDERGROUND SUPPLY TO OVERHEAD TRANSFORMER****MATERIAL LIST**

ITEM	QUANTITY	DESCRIPTION	STOCK NO.
1	1	TERMINATOR, 27 kV, 1/0 Sol., cold shrink	686532
2	1	ARRESTER, SURGE, 17 kV MCOV, intermediate	680121
3	1	CUTOFF, 27 kV, ultra heavy duty	682099
4	1	FUSE link, K rated	per DU11-1
5	1	BRACKET, cutout mounting, pole	563222
6	1	BRACKET, arrester & terminator adapter	720638
7	2	BOLT, machine, galv, 5/8" x L	780838E thru 780846E
8	2	WASHER, flat, 2-1/4" X 2-1/4"	585135E
9	2	WASHER, coil spring lock, 3/4"	584267E
10	2	SCREW, LAG, 3/8" x 4"	785246E
11	2	SCREW, CAP, hex head, 5/8" x 2"	784889E
12	1	NUT, EYE, galv, 5/8:	565252E
13	1	WASHER, lock, galv, 5/8"	584260E
14	as req'd.	CONDUIT, PVC, Sked 40	734531
15	as req'd.	WIRE, #4 Cu. Sol. bare, soft drawn	610208
16	as req'd.	WIRE, #4 Cu. Sol. poly insul., soft drawn	611442
17	as req'd.	WIRE, braid, tinned Cu.	618624
18	as req'd.	MOULDING, plastic, 1/2"x 8'	582060E
19	as req'd.	STAPLES, moulding, 1/2" x 2"	583200E
20	as req'd.	COMPOUND, sealing	726294E
21	1	CONNECTOR, grounding, split bolt #1 AWG	668867E
24	1	INSULATOR, line post, 34.5 kV	690157
25	1	STUD, insulator, short, 1-3/4" x 3/4"	696826E
26	1	BRACKET, pole top	563253
27	1	CLAMP, hotline, copper 2/0 to #8	580725E
28	1	FAULT LIMITER	per DU11-1
29	1	BRACKET, termination support	563221
30	1	CONNECTOR, Compression, Pin Terminal, 1/0 S.	686056
31	1	CONNECTOR, Copper "C", #2 to #4	677325E

NOTES:

- (A) See Construction Guidelines U7-10 and U7-10.2 for conduit installation.
- (B) See Construction Guideline U7-10.9 for conduit grounding and Construction Guideline D16-2 and for pole grounding.
- (C) All equipment grounds shall be #4 Cu. polyethylene insulated, stock No. 611442.
- (D) See Construction Guidelines DU11-1 for fusing schedule.

CONSTRUCTION GUIDELINE

POLE TERMINATION, 26 kV SINGLE PHASE UNDERGROUND SUPPLY TO OVERHEAD TRANSFORMER

Grounding Diagram

