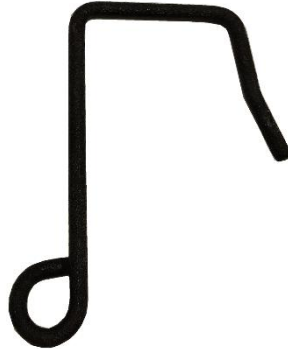


Hooks, Tool Bag



1. Scope

This standard covers the requirements for steel tool bag hooks.

This standard applies to the following Seattle City Light (SCL) stock numbers:

Stock No.	Description
014565	Crossarm tool bag hook, black
014566	"S" tool bag hook, large, yellow
014567	"S" tool bag hook, small, yellow

2. Application

Crossarm tool bag hooks are used to hang canvas tool bags (Stock No. 760735) on the crossarm or bucket during pole top construction.

"S" tool bag hooks are typically used to hang tool bags in URD and Network vaults.

3. Requirements

Hooks shall have the following attributes:

- Made of Grade A36 carbon steel rod
- Have a working load limit of 80 lb
- Have a coated surface applied after bending

3.1 Crossarm Tool Bag Hook

Hooks shall be fabricated as shown in Figure 3.1.

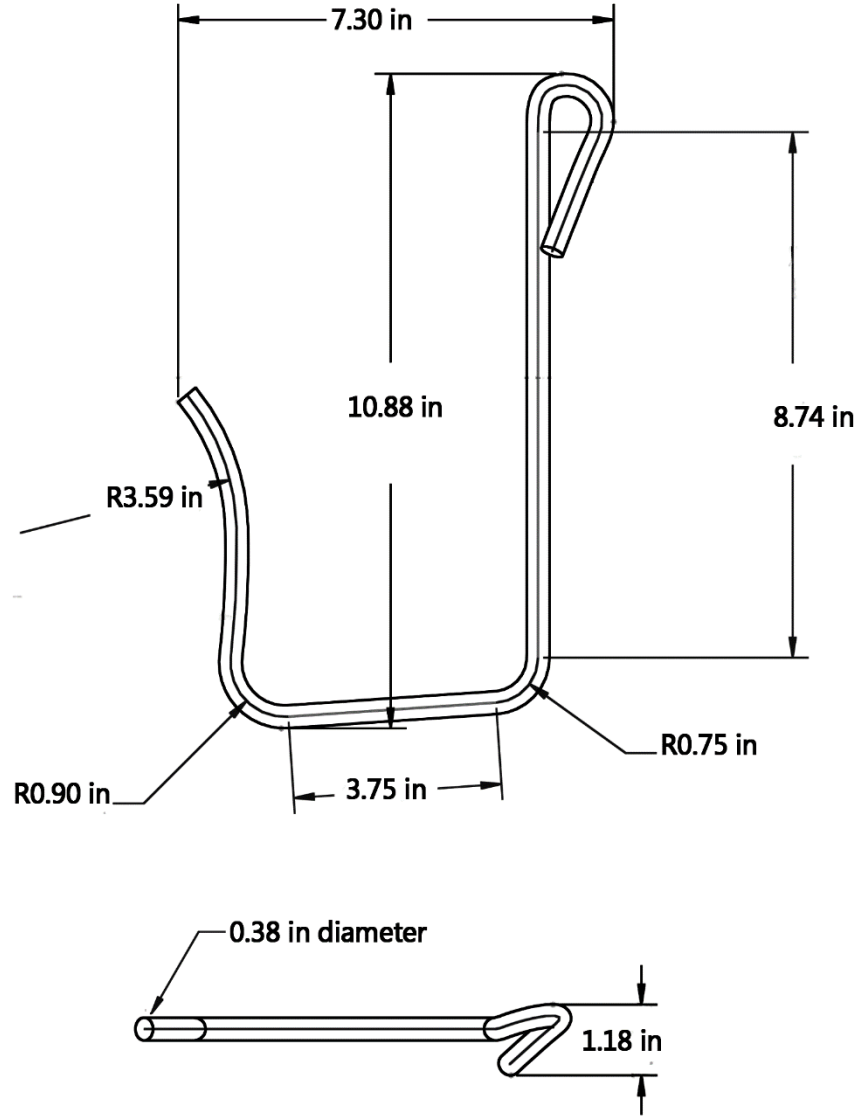
Hooks shall be coated with black plasticolor or Rhino Coating to prevent corrosion and abrasion.

Standards Coordinator
Quan Wang

Standards Supervisor
John Shipek

Unit Director
Andrew Strong

Figure 3.1 Crossarm Tool Bag Hook



3.2 "S" Shaped Tool Bag Hooks

Hooks shall be fabricated as shown in Figures 3.2 and 3.3.

Hooks shall be coated with a yellow powder-coat to prevent corrosion.

Figure 3.2 "S" Shaped Tool Bag Hook, Large (Stock No. 014566)

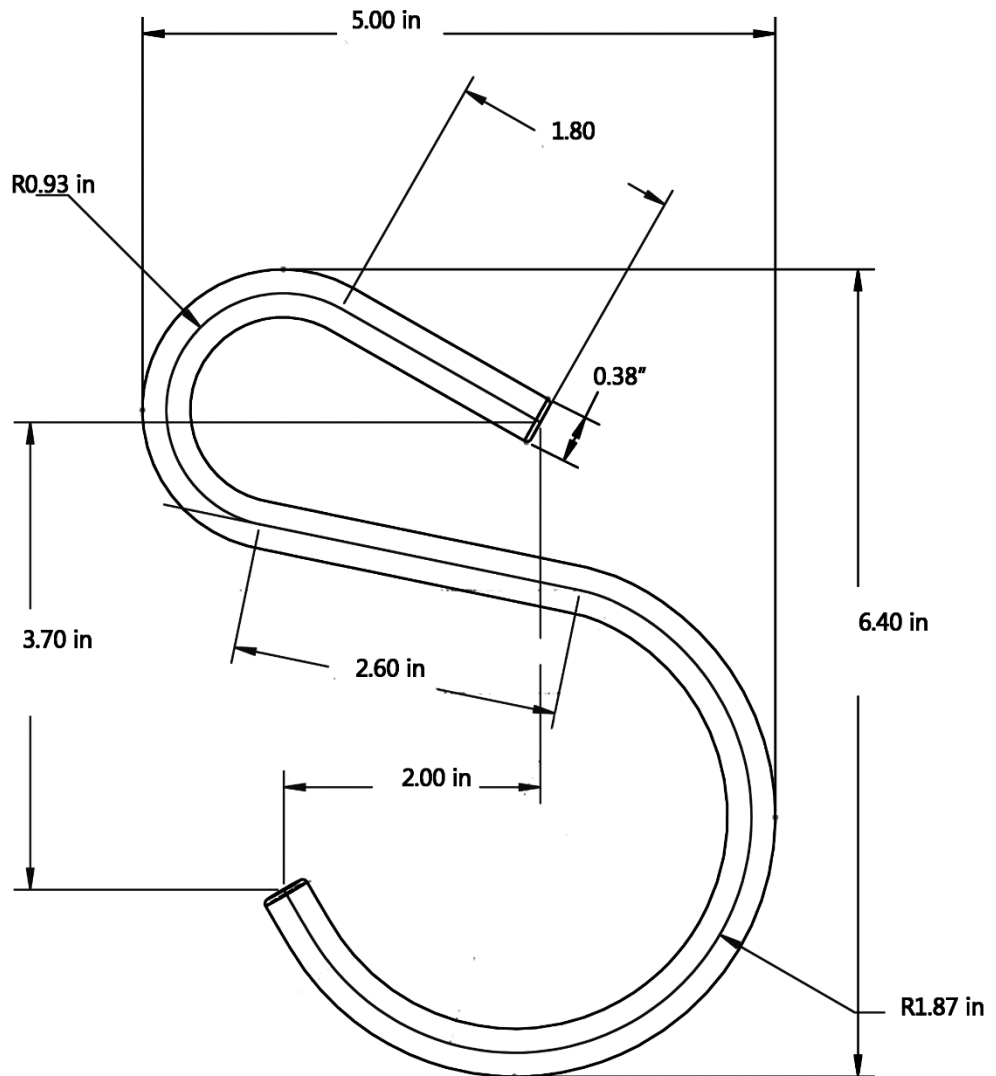
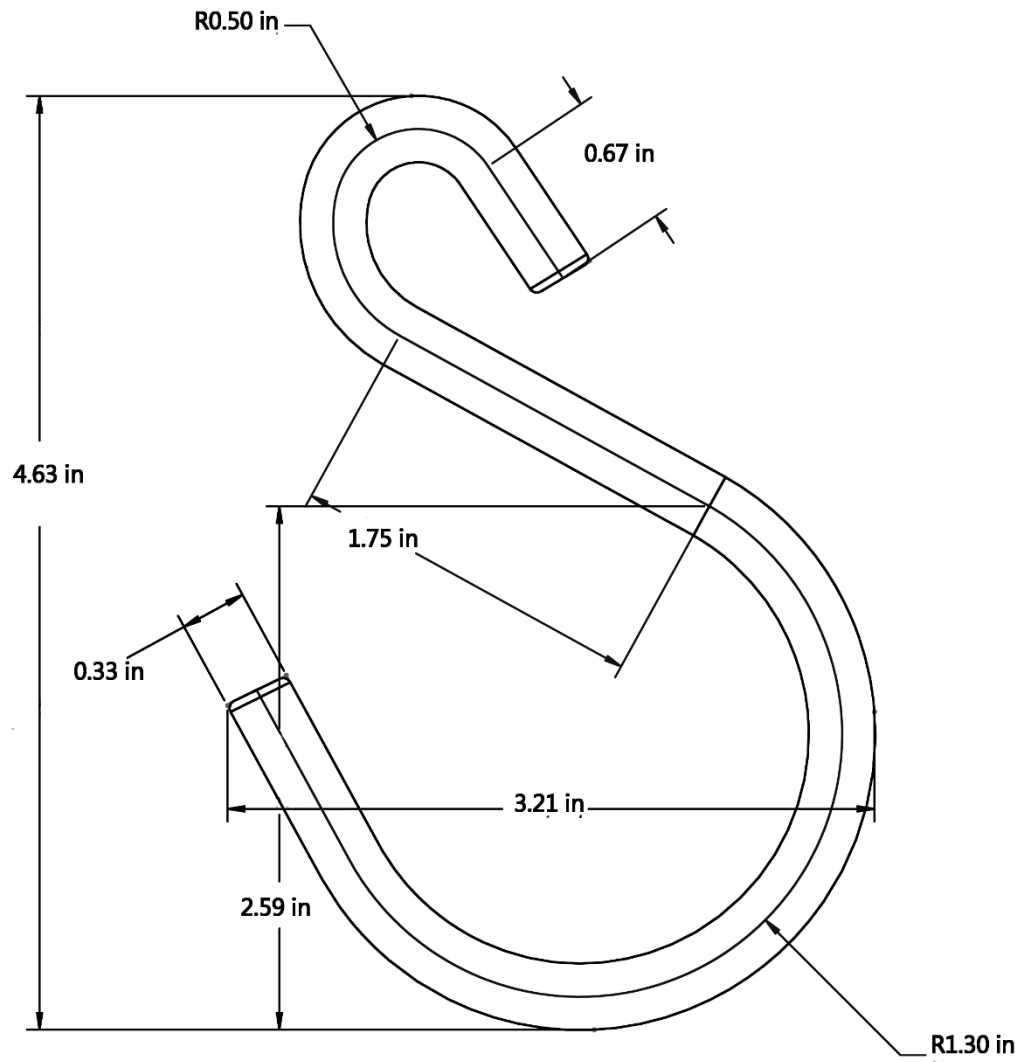


Figure 3.3 "S" Shaped Tool Bag Hook, Small (Stock No. 014567)



4. Packaging

Product shall be packaged to prevent damage during shipping, handling, and inside storage.

Individual packages shall be legibly marked with:

- Manufacturer name
- Manufacturer catalog number
- Product description
- SCL stock number

Shipping containers shall be legibly marked with SCL purchase order number.

5. Issuance

Stock Unit: EA

6. Approved Manufacturer

Stock No.	Description	Site Response Inc.
014565	Crossarm tool bag hook, black	SR-CF-HK-1
014566	"S" tool bag hook, large, yellow	SR-CF-HK-2
014567	"S" tool bag hook, small, yellow	SR-CF-HK-3

7. References

ASTM A36–19; Standard Specification for Carbon Structural Steel

SCL Material Standard 7607.10; "Bags, Tool, Canvas"

8. Sources

<http://www.ppsvcs.com/>

<https://www.site-response.com/>

Wang, Quan; SCL Standards Engineer and subject matter expert for 7607.13
(quan.wang@seattle.gov)