

Arms, Cable Rack, Steel, Epoxy Finish



1. Scope

This standard covers the requirements for steel cable rack arms with an epoxy finish. This standard applies to the Seattle City Light (SCL) stock numbers listed in Section 3.

2. Application

Steel cable rack arms with an epoxy finish are used to support cable in underground vaults when used in conjunction with the cable rack.

3. Requirements

Cable rack arms shall be manufactured from galvanized steel channel.

Cable rack arms shall be epoxy coated.

Cable rack arms shall fit standard cable racks.

Cable rack arms shall meet the requirements shown in Table 3 and Figure 3.

Figure 3. Cable Rack Arm Dimensions

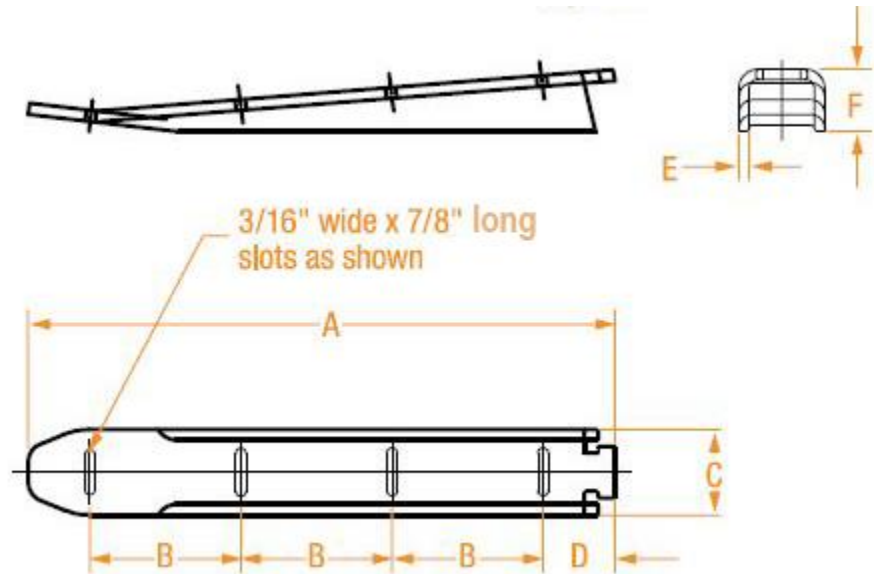


Table 3. Cable Rack Arm Dimensions

Stock No.	# of Slots	Dimensions (in)					
		A	B	C	D	E	F
720619	2	4-1/2	2-3/4	1-1/2	1-7/16	3/16	1-1/4
720620	3	8	2-3/4	1-1/2	1-1/4	3/16	1-1/4
720621	4	10-11/16	2-3/4	1-1/2	1-5/16	3/16	1-1/8
720623	5	14-1/2	2-3/4	1-1/2	2-1/2	3/16	1-5/8

4. Packaging

Cable rack arms shall be packaged to prevent damage during shipping, handling, and storage. Individual packages shall be legibly marked with:

- • Manufacturer name
- • Manufacturer part number
- • Product description
- • SCL stock number

Shipping containers shall be legibly marked with:

- • Seattle City Light purchase order number

5. Issuance

Stock Unit: EA

6. Approved Manufacturers

Stock No.	Manufacturer	Catalog No.
720619	Richards	SRA-4
720620	"	SRA-7
720621	"	SRA-10
720623	"	SRA-14

7. Sources

SCL Stock Catalog page 70-40; October 19, 2007

Lu, Curtis; SCL Standards Engineer and originator of 7206.25 (curtis.lu@seattle.gov)

www.richards-mfg.com/