

## Conduit Bodies, Nonmetallic



---

### 1. Scope

This standard covers the requirements for nonmetallic conduit bodies.

For metallic conduit bodies, see SCL 7050.17.

This standard applies to Seattle City Light (SCL) Stock No. 732613.

---

### 2. Application

Conduit bodies are used with Schedule 40 and 80 polyvinyl chloride (PVC) conduit to construct raceway systems for branch circuits. They serve as junctions for branch circuits and provide an access point for pulling, splicing, and maintenance.

---

### 3. Industry Standards

Conduit bodies shall meet the applicable requirements of the latest revision of the following industry standards:

**UL 651**; "Standard for Schedule 40, 80, Type EB and A Rigid PVC Conduit and Fittings"

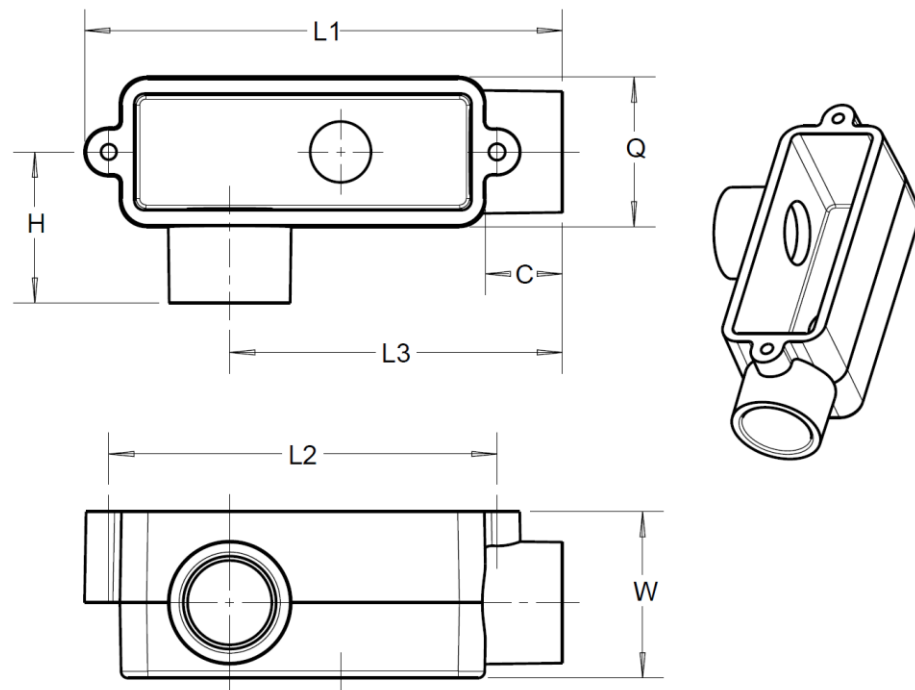
**NEMA TC 3**; "Polyvinyl Chloride (PVC) Fittings for Use with Rigid PVC Conduit and Tubing"

#### 4. Requirements

Conduit bodies shall have the following attributes:

- PVC construction
- Non-threaded hubs
- Textured cover with screws
- Foam-in-place or rubber gasket
- Gray color
- Type LR

**Figure 4. Conduit Body Dimensions**



**Table 4. Conduit Body Dimensions (in)**

Trade Size	C	L1	L2	L3	H	Q	W	Volume (cu in)
1	0.91	6.28	5.28	4.78	1.78	1.75	2.03	12

#### 5. Packaging

Conduit bodies shall be shipped fully assembled.

Each standard package shall be legibly marked with the following information:

- Manufacturer identification
- Product description
- SCL stock number
- Quantity

Each shipping container shall be legibly marked with the following information:

- SCL purchase order number

**6. Issuance**

Stock Unit: EA

---

**7. Approved Manufacturers**

<b>Manufacturer</b>	<b>Part No.</b>
ABB (Thomas & Betts/Carlton)	E985F

---

**8. Sources**

**Shetab, Muneer**; SCL Standards Engineer, originator, and subject matter expert for 7050.15 (muneer.shetab@seattle.gov)

**Thomas & Betts/Carlton drawing WSD-AC04746**, Revision A

**SCL Stock Catalog Page 73-11**; October 28, 2015