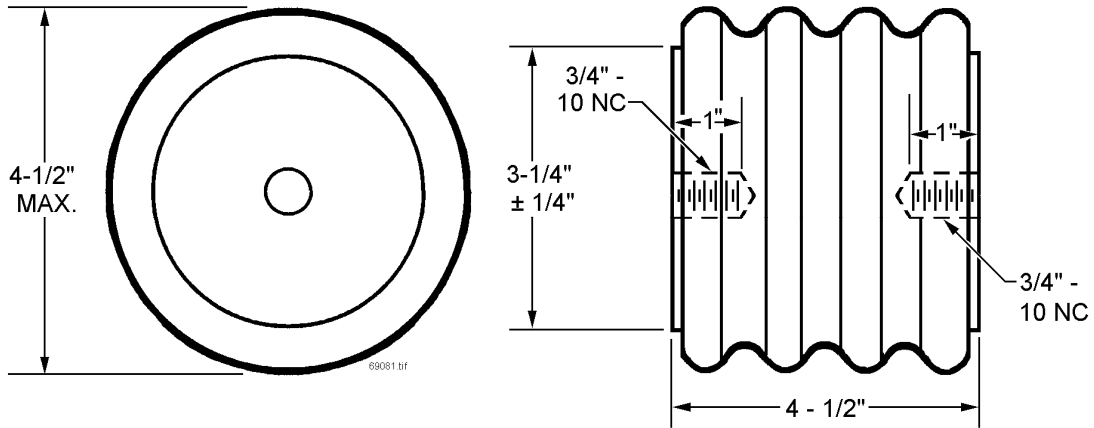


# MATERIAL STANDARD

## INSULATOR BUS BAR SUPPORT UNDERGROUND VAULT



The insulator shall be of the configuration shown and meet the requirements of the latest revision of ANSI C37.31 tables 1 and 4 for class A indoor insulators. Material shall be composite (not porcelain).

**Reference Specifications:** ANSI C37.31

**Stock Unit:** EA

Stock Number	BIL kV	Rating kV	Bending Moment at Base: In-lbs	Torsion In.-Lbs	Tension Lbs	NEMA Class	Approved Manufacturers
							C-K Composites
690856	75	7.5	21,000	6,000	5,000	A-30	16-D-7191 REV. 2

ORIGINATOR	STANDARDS COORDINATOR	STANDARDS SUPERVISOR	UNIT DIRECTOR
<i>Jim S. Horn</i>	<i>Charles L. Shaffer</i>	<i>John Chinner</i>	<i>Hardee Jry</i>