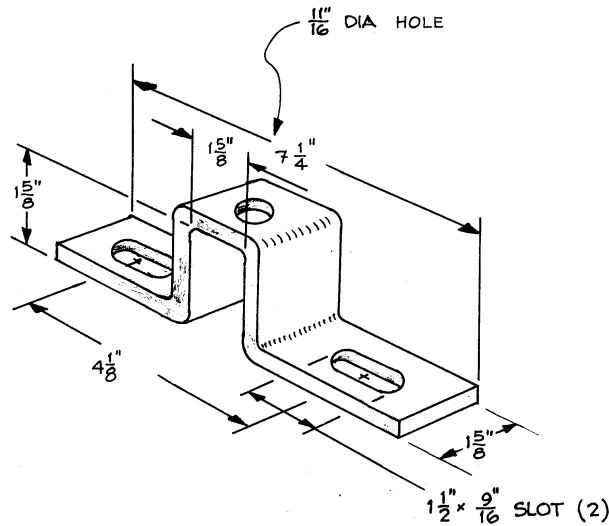


BASE, NEUTRAL BUS SUPPORT



- Material:** Support shall be formed from 1/4" steel, electro-galvanized after forming, or may be any of the following standard 1-5/8" x 1-5/8" channel mounting brackets modified by increasing the diameter of the existing 9/16" center hole to 11/16" as shown.

CAUTION: If a standard channel bracket is used to manufacture this part, the redrilled hole shall be deburred and re-plated.

- Stock Unit:** EA
- Stock No.:** 690882

5. Approved Manufacturers and Catalog Numbers:

B-Line	Eristrut	Superstrut	Unistrut	Wesanco
B333-1NS11/16	U13SCL	AN259-1SCL	P1048	W-5307-M-E/G

Standards Coordinator
 Kathy Tilley

Standards Supervisor
 John Shipek

Unit Director
 Darnell Cola

Kathy Tilley

John Shipek

Darnell Cola