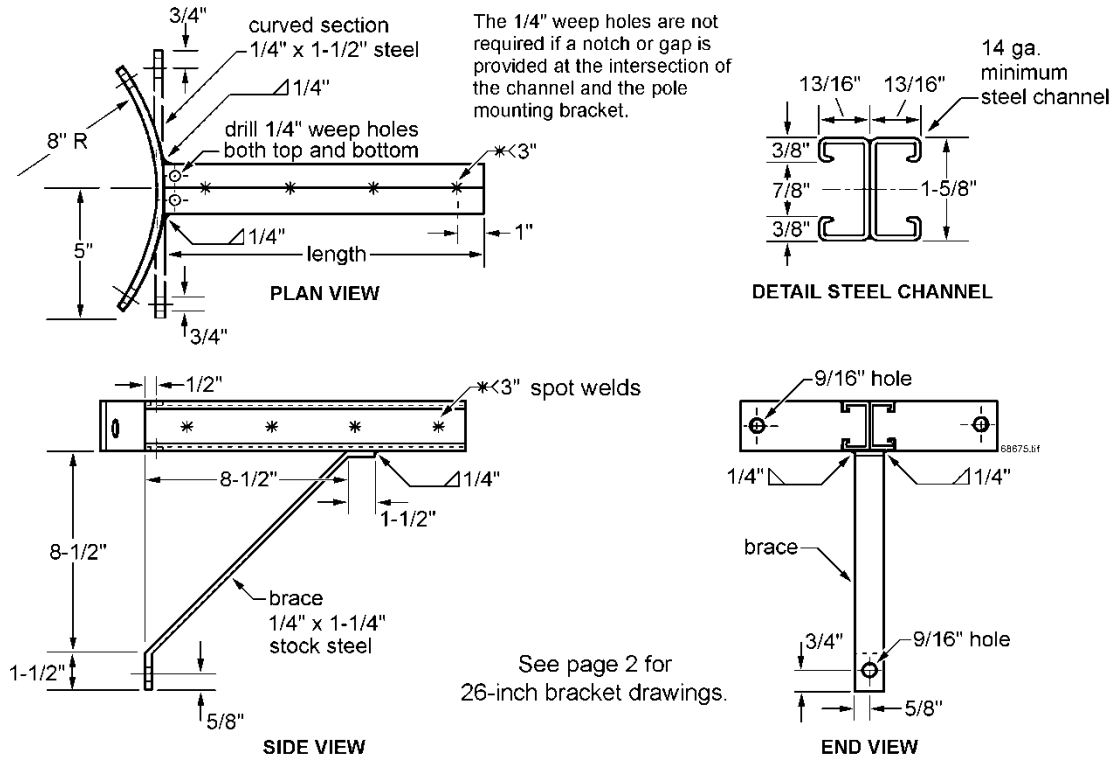


**Bracket, For Pole Riser Conduit**



See page 2 for 26-inch bracket drawings.

**Figure 1.** Conduit bracket (not to scale)

**1. Scope**

Conduit Bracket shall be of the configuration and dimensions shown, free of rough or uneven surfaces and edges.

This standard applies to the following Seattle City Light Stock Numbers:

| Without Brace |            | With Brace |            |
|---------------|------------|------------|------------|
| Stock No.     | Length, in | Stock No.  | Length, in |
| 686784        | 10-1/2     | 686792     | 10-1/2     |
| 686786        | 12-1/2     | 686794     | 12-1/2     |
| 686790        | 18         | 686796     | 18         |
|               |            | 012330     | 26         |

**2. Industry Standards**

**ASTM A109**, Steel, Strip, Carbon (0.25 Maximum Percent), Cold-Rolled, latest revisions

**ASTM A123**, Zinc (Hot-Dip Galvanized) Coatings on Iron and Steel Products, latest revisions

**3. Galvanizing**

The bracket shall be galvanized, after fabrication, in accordance with ASTM A123.

**4. Material**

The bracket shall be made of cold-rolled steel strip in accordance with ASTM A109. The channel shall be Power Strut PS-501, Unistrut P-4101, Super Strut B1402, Speed Strut 800-2, or equal.

**5. Packaging**

Brackets shall be packaged in boxes that will fit on a standard wood pallet. Boxes shall be suitable for inside storage. Individual boxes shall not exceed 500 pounds in weight.

**6. Issuance**

Stock Unit: EA

*Kathy Tilley*

*John Shipek*

*Darnell Cola*

**7. Approved Manufacturers**

**Bracket Without Brace**

| Stock Number | Length, in. | Morfab Co.  | Wesanco        | Wilcor |
|--------------|-------------|-------------|----------------|--------|
| 686784       | 10-1/2      | 105SOSMC-WH | W-1012-10.5 WH | WA10SB |
| 686786       | 12-1/2      | 125SOSMC-WH | W-1012-12.5 WH | WA12SB |
| 686790       | 18          | 18SOSMC-WH  | W-1012-18 WH   | WA18SB |

**Bracket With Brace**

| Stock Number | Length, in. | Morfab Co. | Wesanco         | Wilcor      |
|--------------|-------------|------------|-----------------|-------------|
| 686792       | 10-1/2      | 105SOSMCB  | W-1013-10.5 WH  | WA10SB-S    |
| 686794       | 12-1/2      | 125SOSMCB  | W-1013-12.5 WH  | WA12SB-S    |
| 686796       | 18          | 18SOSMCB   | W-1013-18 WH    | WA18SB-S    |
| 012330       | 26          | -          | WSF 101663 WHHD | WA26SBS-SCL |

**Figure 2.** 26-in Bracket With Brace (not to scale)

