

**ADAPTER PLATE AND GASKET FOR SINGLE-PHASE G&W 1/C, 27 kV
 TERMINATOR REPLACEMENT**

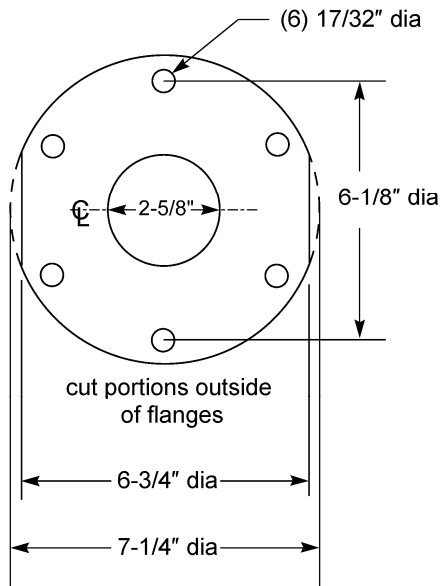
Adapter Plate

Description: Seattle City Light (SCL) Shops made.

Application: Application for both the adapter plate and gasket (686270). For conversion of G&W TR 180245R or W pothead to 600 ampere apparatus bushing on 26 kV network transformers and other apparatus. See Stock Catalog page 70-47 for more information.

Stock No.: 686196

Stock Unit: EA



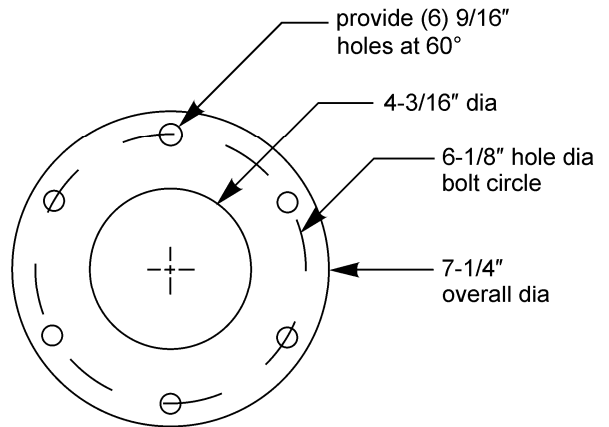
Adapter Plate Gasket

Description: Seattle City Light Shops made from cork and synthetic rubber composition in 1/4-inch sheets (SCL Stock No. 727714). Refer to SCL Material Standard 7276.9.

Application: Application for use with the adapter plate left (686196).



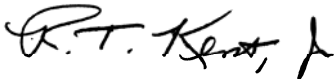
Stock No.: 686270

Stock Unit: EA



Fabrication Notes:

1. "Flower Pot" bushing - Elastimold K1601-T1 (SCL Stock No. 686434)
2. Fabricated from 1/2-inch 304 stainless steel plate.
3. Weld all around stainless steel flange on "flower pot" bushing well. While welding, be sure to provide a heat sink!
4. Test weld with 3 lbs. nitrogen pressure and apply *Leak Tec* to test for leaks.
5. Package in plastic bag.

standards coordinator	standards supervisor	unit director
 John Shipek	 John Barnett	 Richard Kent