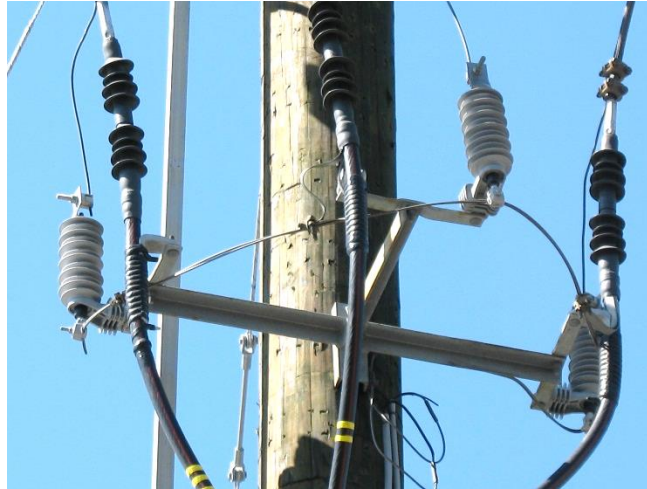


Brackets, Terminator and Arrester Mounting



1. Scope

This standard covers the requirements for terminator and arrester mounting brackets.

This standard applies to the following Seattle City Light (SCL) stock numbers:

| Stock No. | Description |
|-----------|----------------------------------|
| 686830 | Single-phase Termination Bracket |
| 686835 | Three-phase Termination Bracket |
| 013658 | Mounting Strap |

2. Application

A terminator and arrester mounting bracket is used to mount terminators and surge arresters on terminal poles. The mounting straps allow for both a terminator and surge arrester to be mounted in parallel where the arrester can protect the terminator and cable.

3. Requirements

Brackets shall be manufactured from steel and hot-dip galvanized.

Brackets shall provide hardware as described and shown sections 3.1 and 3.2.

3.1 Single Phase Brackets

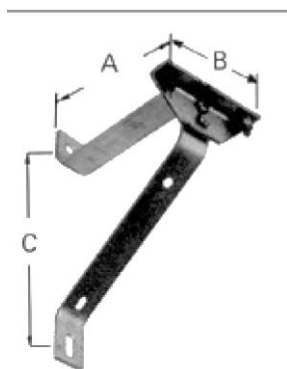
Single phase brackets (Stock No. 686830) shall have dimensions as follows:

- Bracket length (A): 12-3/8 inches
- Strap width (B): 6 inches
- Between mounting holes (C): 15-3/16 inches

See Figure 3.1.

Single-phase brackets shall include three (3) 1/2-inch by 2-inch captive carriage bolts with external tooth washers, split lock washers, and hex nuts.

Figure 3.1. Single-Phase Bracket Dimensions



3.2 Three Phase Brackets

Three-phase brackets (Stock No. 686835) shall have dimensions as shown in Figure 3.2a and include nine (9) 1/2-inch by 2-inch captive carriage bolts with external tooth washers, split lock washers and hex nuts.

Replacement mounting straps for three-phase brackets shall be manufactured with hot rolled steel and hot-dip galvanized. The straps shall include two (2) 1/2-inch by 2-inch captive carriage bolts with external tooth washers, split lock washers and hex nuts.

Straps shall have dimensions as follows:

- Between attachment holes (A): 12 inches
- Strap thickness (B): 3/8 inch
- Strap width (C): 2 inches

See Figure 3.2b.

Figure 3.2a. Three-Phase Bracket Dimensions

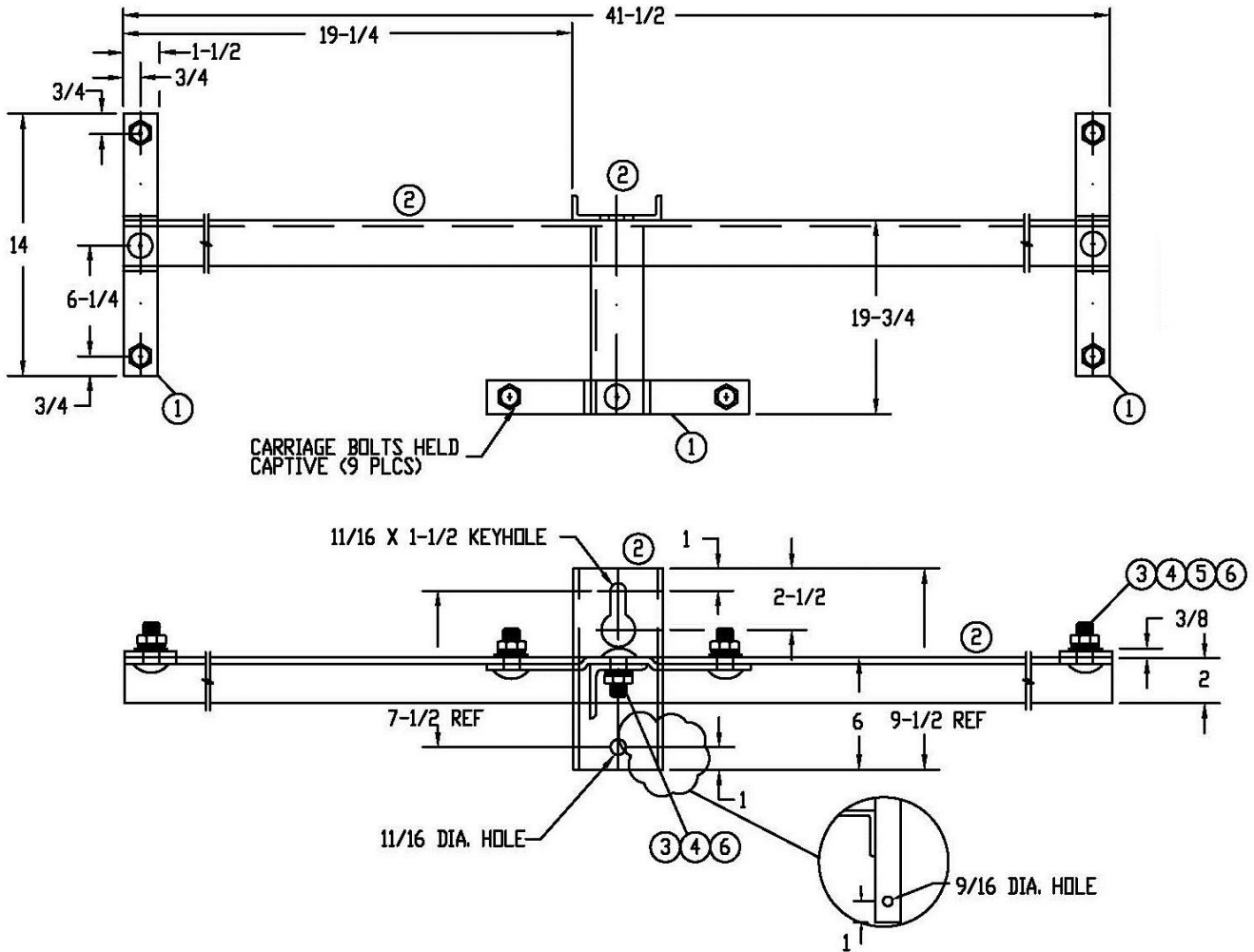
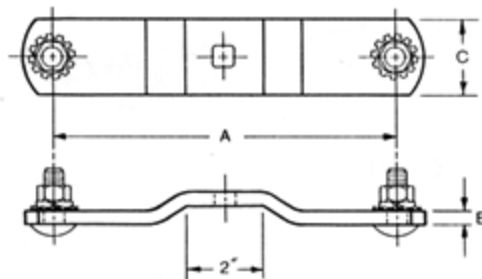


Figure 3.2b. Mounting Strap Dimensions



4. Packaging

Brackets shall be pre-assembled and packaged to prevent damage during shipping, handling, and storage.

Individual packages shall be legibly marked with:

- Manufacturer name
- Manufacturer part number
- Product description
- SCL stock number

Shipping containers shall be legibly marked with:

- SCL purchase order number
-

5. Issuance

Stock Unit: EA

6. Approved Manufacturers

| Stock No. | Description | Manufacturer | Catalog No. |
|------------------|----------------------------------|-----------------------|--------------------|
| 686830 | Single-phase Termination Bracket | Aluma-Form | 1HCA |
| 686835 | Three-phase Termination Bracket | MacLean Power Systems | D-27211-GA |
| 013658 | Mounting Strap | Line Hardware | MS-12B |

7. Sources

SCL Stock Catalog page 70-45; June 30, 2017

Lu, Curtis; SCL Standards Engineer and originator of 6861.50

www.maclepower.com

www.alumaform.com

www.linehardware.com