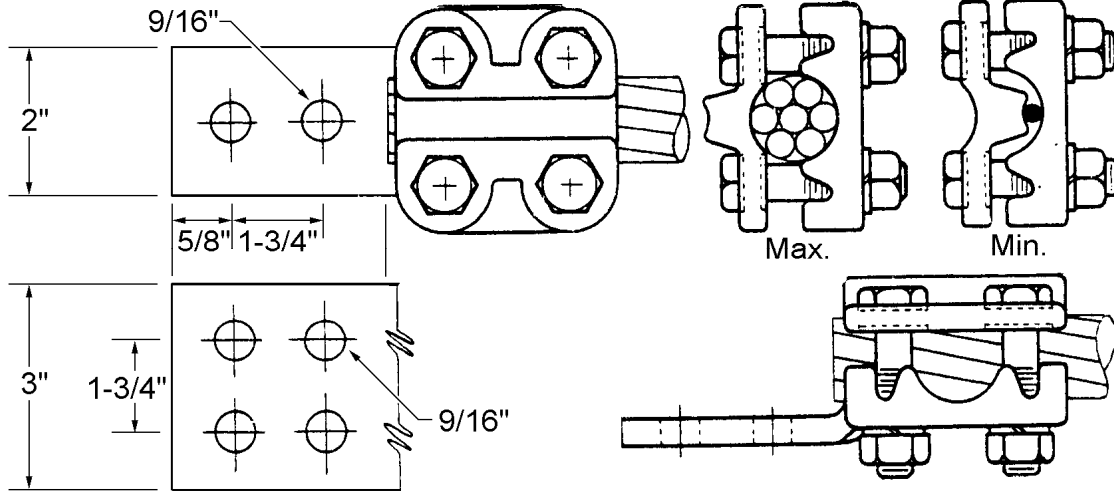


MATERIAL STANDARD

LUGS, TERMINAL CONNECTOR UNIVERSAL AND TUBE TYPE



Terminal Connector Lugs of the Universal type shall be of the general configuration shown and shall be forged or cast from high-conductivity copper alloy. The bolts, nuts, and lock washers shall be high-strength silicon bronze. The connectors shall meet the applicable requirements of ANSI/NEMA CC-1, *Electric Power Connectors for Substations*.

Reference: ANSI/NEMA CC-1

Stock Unit: EA

Stock No.	Range		Pad Holes	Approved Manufacturers					
	Cable	IPS		Anderson	Burndy	Dossert	Fargo	*Homac	S. States
667786	#2 Sol-800 kcmil	1/4" - 3/4"	2	SF-1-B2-3	-	-	-	7MK-80-2N	-
661241	-	1-1/4"	4	STF4-12C	NA16-4N	TP 125-4N	T3A4N	KL-G-4N	UA-25-4
661244	-	1-1/2"	4	STF4-14C	NA17-4N	TP 150-4N	T4A4N	KL-H-4N	UA-26-4

*Frankel acceptable.

ORIGINATOR	STANDARDS COORDINATOR	STANDARDS SUPERVISOR	UNIT DIRECTOR
<i>Jim S. Horn</i>	<i>Charles L. Shaffer</i>	<i>John C. Skinner</i>	<i>Harold J. J...</i>