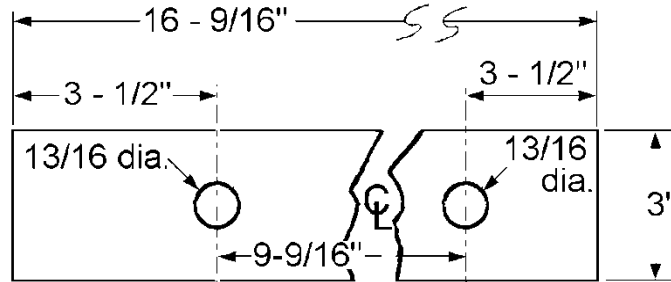


**Brackets
 Transformer and Rack Extension**



Hole Dimensions on Flat Bar

Stock No.: 580505

EXTENSION BRACKETS shall be of the configuration and dimensions shown. Extension brackets shall be manufactured from hot-rolled steel bars (ASTM A575) and hot-dip galvanized, after fabrication per ASTM A153.

Reference Specification:

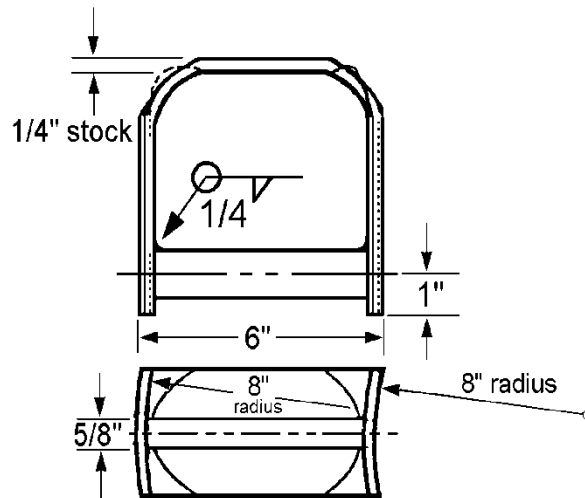
ASTM A153 and A575

Stock No.: 580505

Stock Unit: EA

Approved Manufacturers	
Morfab	Wilcor
U41658	WAFM-2

For fabrication by Seattle City Light Shops, reference by stock number.



Kathy Tilley

John Shipek

Darnell Cola